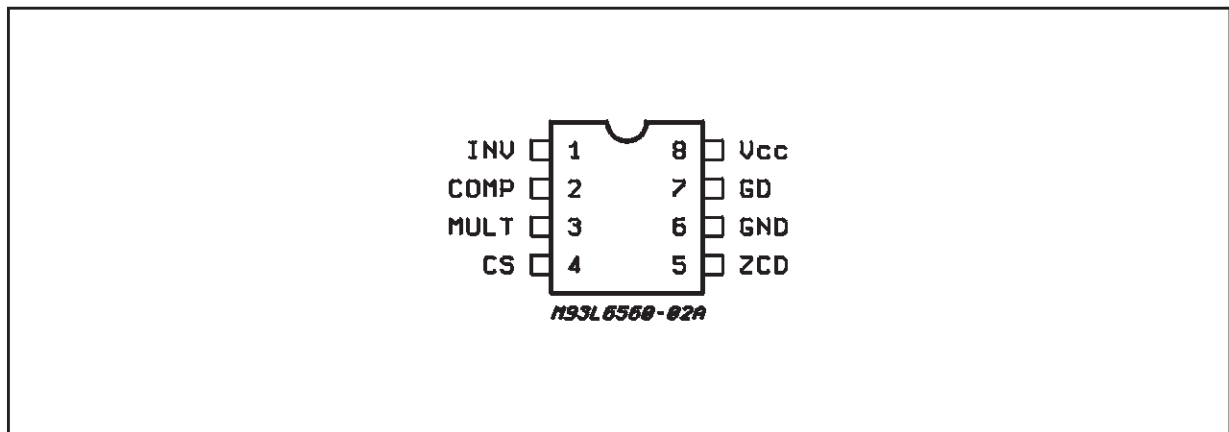


ABSOLUTE MAXIMUM RATINGS

Symbol	Pin	Parameter	Value	Unit
I _{VCC}	8	I _{CC} + I _Z	30	mA
I _{GD}	7	Output Totem Pole Peak Current (2μs)	±700	mA
INV, COMP MULT	1, 2, 3	Analog Inputs & Outputs	-0.3 to 7	V
CS	4	Current Sense Input	-0.3 to 7	V
ZCD	5	Zero Current Detector	50 (source) -10 (sink)	mA mA
P _{tot}		Power Dissipation @T _{amb} = 50 °C (Minidip) (SO8)	1 0.65	W
T _j		Junction Temperature Operating Range	-25 to 150	°C
T _{stg}		Storage Temperature	-55 to 150	°C

PIN CONNECTION



THERMAL DATA

Symbol	Parameter	SO 8	MINIDIP	Unit
R _{th j-amb}	Thermal Resistance Junction-ambient	150	100	°C/W

PIN FUNCTIONS

N.	Name	Function
1	INV	Inverting input of the error amplifier. A resistive divider is connected between the output regulated voltage and this point, to provide voltage feedback.
2	COMP	Output of error amplifier. A feedback compensation network is placed between this pin and the INV pin.
3	MULT	Input of the multiplier stage. A resistive divider connects to this pin the rectified mains. A voltage signal, proportional to the rectified mains, appears on this pin.
4	CS	Input to the comparator of the control loop. The current is sensed by a resistor and the resulting voltage is applied to this pin.
5	ZCD	Zero current detection input. If it is connected to GND, the device is disabled.
6	GND	Current return for driver and control circuits.
7	GD	Gate driver output. A push pull output stage is able to drive the Power MOS with peak current of 400mA (source and sink).
8	VCC	Supply voltage of driver and control circuits.

ELECTRICAL CHARACTERISTICS ($V_{CC} = 14.5V$; $T_{amb} = -25^{\circ}C$ to $125^{\circ}C$; unless otherwise specified)
SUPPLY VOLTAGE SECTION

Symbol	Pin	Parameter	Test Condition	Min.	Typ.	Max.	Unit
V_{CC}	8	Operating Range	after turn-on	11		18	V
$V_{CC\ ON}$	8	Turn-on Threshold		11	12	13	V
$V_{CC\ OFF}$	8	Turn-off Threshold		8.7	9.5	10.3	V
Hys	8	Hysteresis		2.2	2.5	2.8	V

SUPPLY CURRENT SECTION

Symbol	Pin	Parameter	Test Condition	Min.	Typ.	Max.	Unit
$I_{START-U}$	8	Start-up Current	before turn-on ($V_{CC} = 11V$)	20	50	90	μA
I_q	8	Quiescent Current			2.6	4	mA
I_{CC}		Operating Supply Current	$C_L = 1nF @ 70KHz$ in OVP condition $V_{pin1} = 2.7V$		4	5.5	mA
I_q		Quiescent Current	$V_{PIN5} \leq 150mV, V_{CC} > V_{CC\ off}$		1.4	2.1	mA
		Quiescent Current	$V_{PIN5} \leq 150mV, V_{CC} < V_{CC\ off}$	20	50	90	μA
V_Z	8	Zener Voltage	$I_{CC} = 25mA$	18	20	22	V

ERROR AMPLIFIER SECTION

Symbol	Pin	Parameter	Test Condition	Min.	Typ.	Max.	Unit
V_{INV}	1	Voltage Feedback Input Threshold	$T_{amb} = 25^{\circ}C$	2.465	2.5	2.535	V
			$12V < V_{CC} < 18V$	2.44		2.56	
		Line Regulation	$V_{CC} = 12$ to $18V$		2	5	mV
I_{INV}	1	Input Bias Current			-0.1	-1	μA
G_V		Voltage Gain	Open loop	60	80		dB
GB		Gain Bandwidth			1		MHz
I_{COMP}	2	Source Current	$V_{COMP} = 4V, V_{INV} = 2.4V$	-2	-4	-8	mA
		Sink Current	$V_{COMP} = 4V, V_{INV} = 2.6V$	2.5	4.5		mA
V_{COMP}	2	Upper Clamp Voltage	$I_{SOURCE} = 0.5mA$		5.8		V
		Lower Clamp Voltage	$I_{SINK} = 0.5mA$		2.25		V

MULTIPLIER SECTION

Symbol	Pin	Parameter	Test Condition	Min.	Typ.	Max.	Unit
V_{MULT}	3	Linear Operating Voltage		0 to 3	0 to 3.5		V
$\frac{\Delta V_{CS}}{\Delta V_{mult}}$		Output Max. Slope	$V_{MULT} =$ from 0V to 0.5V $V_{COMP} =$ Upper Clamp Voltage	1.65	1.9		
K		Gain	$V_{MULT} = 1V, V_{COMP} = 4V$	0.45	0.6	0.75	1/V

CURRENT SENSE COMPARATOR

Symbol	Pin	Parameter	Test Condition	Min.	Typ.	Max.	Unit
V_{CS}	4	Current Sense Reference Clamp	$V_{MULT} = 2.5V$ $V_{COMP} =$ Upper Clamp Voltage	1.6	1.7	1.8	V
I_{CS}	4	Input Bias Current	$V_{OS} = 0$		-0.05	-1	μA
$t_d (H-L)$	4	Delay to Output			200	450	ns
	4	Current Sense Offset			0	15	mV

ELECTRICAL CHARACTERISTICS (continued)**ZERO CURRENT DETECTOR**

Symbol	Pin	Parameter	Test Condition	Min.	Typ.	Max.	Unit
V _{ZCD}	5	Input Threshold Voltage Rising Edge	(1)		2.1		V
		Hysteresis	(1)	0.3	0.5	0.7	V
V _{ZCD}	5	Upper Clamp Voltage	I _{ZCD} = 20μA	4.5	5.1	5.9	V
V _{ZCD}	5	Upper Clamp Voltage	I _{ZCD} = 3mA	4.7	5.2	6.1	V
V _{ZCD}	5	Lower Clamp Voltage	I _{ZCD} = -3mA	0.3	0.65	1	V
I _{ZCD}	5	Sink Bias Current	1V ≤ V _{ZCD} ≤ 4.5V		2		μA
I _{ZCD}	5	Source Current Capability		-3		-10	mA
I _{ZCD}	5	Sink Current Capability		3		10	mA
V _{DIS}	5	Disable threshold		150	200	250	mV
I _{ZCD}	5	Restart Current After Disable	V _{ZCD} < V _{dis} ; V _{CC} > V _{CCOFF}	-100	-200	-300	μA

OUTPUT SECTION

V _{GD}	7	Dropout Voltage	I _{GDsource} = 200mA		1.2	2	V
			I _{GDsource} = 20mA		0.7	1	V
			I _{GDsink} = 200mA			1.5	V
			I _{GDsink} = 20mA			0.3	V
t _r	7	Output Voltage Rise Time	C _L = 1nF		40	100	ns
t _f	7	Output Voltage Fall Time	C _L = 1nF		40	100	ns
I _{GD off}	7	I _{GD} Sink Current	V _{CC} = 3.5V V _{GD} = 1V	5	10	-	mA

OUTPUT OVERVOLTAGE SECTION

I _{OVP}	2	OVP Triggering Current		35	40	45	μA
		Static OVP Threshold		2.1	2.25	2.4	V

RESTART TIMER

t _{START}		Start Timer		70	150	400	μs
--------------------	--	-------------	--	----	-----	-----	----

(1) Parameter guaranteed by design, not tested in production.

OVER VOLTAGE PROTECTION OVP

The output voltage is expected to be kept by the operation of the PFC circuit close to its nominal value. This is set by the ratio of the two external resistors R₁ and R₂ (see fig. 2), taking into consideration that the non inverting input of the error amplifier is biased inside the L6561 at 2.5V.

In steady state conditions, the current through R₁ and R₂ is:

$$I_{R1sc} = \frac{V_{out} - 2.5}{R1} = I_{R2} = \frac{2.5V}{R2}$$

and, if the external compensation network is made only with a capacitor C_{comp}, the current through C_{comp} equals zero.

When the output voltage increases abruptly the current through R₁ becomes:

$$I_{R1} = \frac{V_{outsc} + \Delta V_{OUT} - 2.5}{R1} = I_{R1sc} + \Delta I_{R1}$$

Since the current through R₂ does not change, ΔI_{R1} must flow through the capacitor C_{comp} and enter the error amplifier.

This current is monitored inside the L6561 and when reaches about 37μA the output voltage of the multiplier is forced to decrease, thus reducing the energy drawn from the mains. If the current exceeds 40μA, the OVP protection is triggered (Dynamic OVP), and the external power transistor is switched off until the current falls approximately below 10μA.

However, if the overvoltage persists, an internal comparator (Static OVP) confirms the OVP condition keeping the external power switch turned off (see fig. 1).

Finally, the overvoltage that triggers the OVP function is:

$$\Delta V_{out} = R1 \cdot 40\mu A.$$

Typical values for R₁, R₂ and C are shown in the application circuits. The overvoltage can be set independently from the average output voltage. The precision in setting the overvoltage threshold is 7% of

the overvoltage value (for instance $\Delta V = 60V \pm 4.2V$).

Disable function

The zero current detector (ZCD) pin can be used

for device disabling as well. By grounding the ZCD voltage the device is disabled reducing the supply current consumption at 1.4mA typical (@ 14.5V supply voltage).

Releasing the ZCD pin the internal start-up timer will restart the device.

Figure 1.

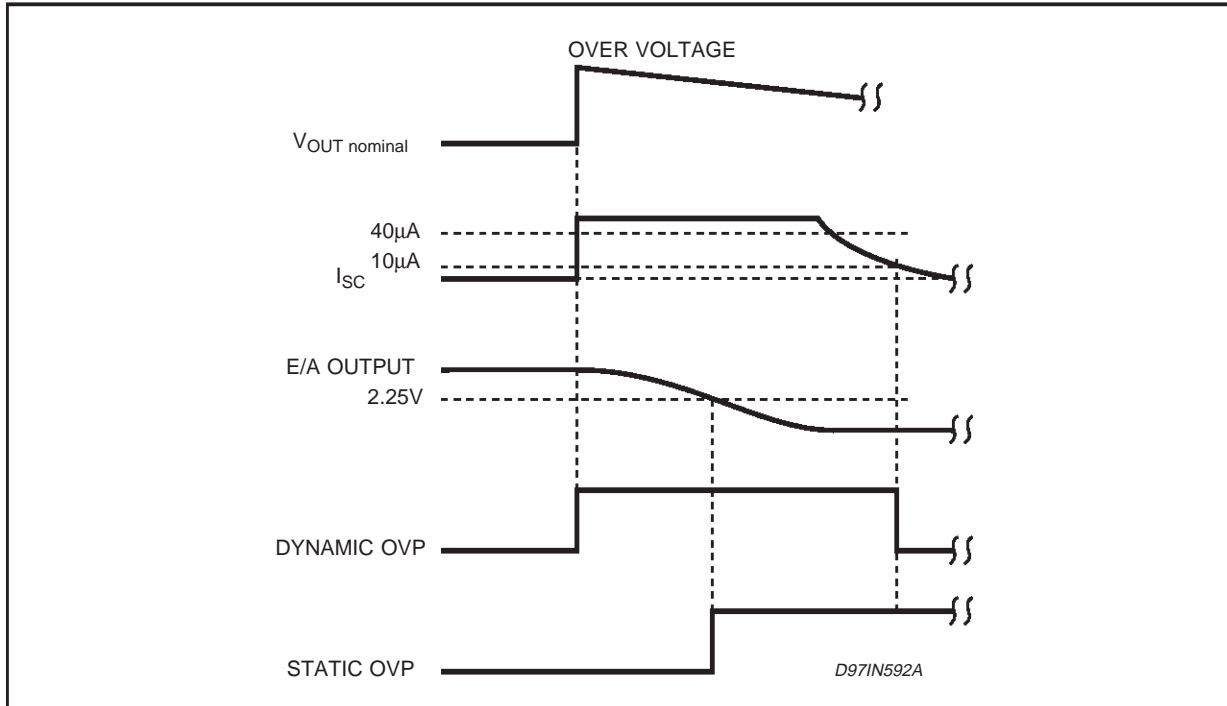


Figure 2. Overvoltage Protection Circuit

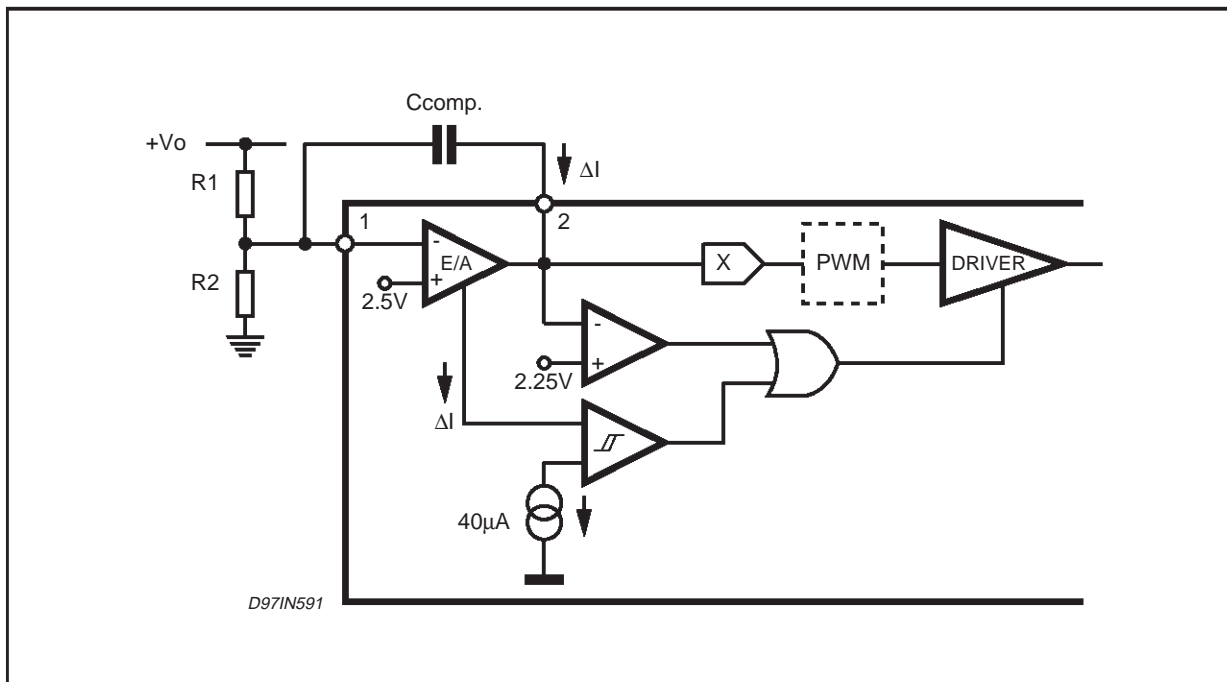


Figure 3. Typical Application Circuit (80W, 110VAC)

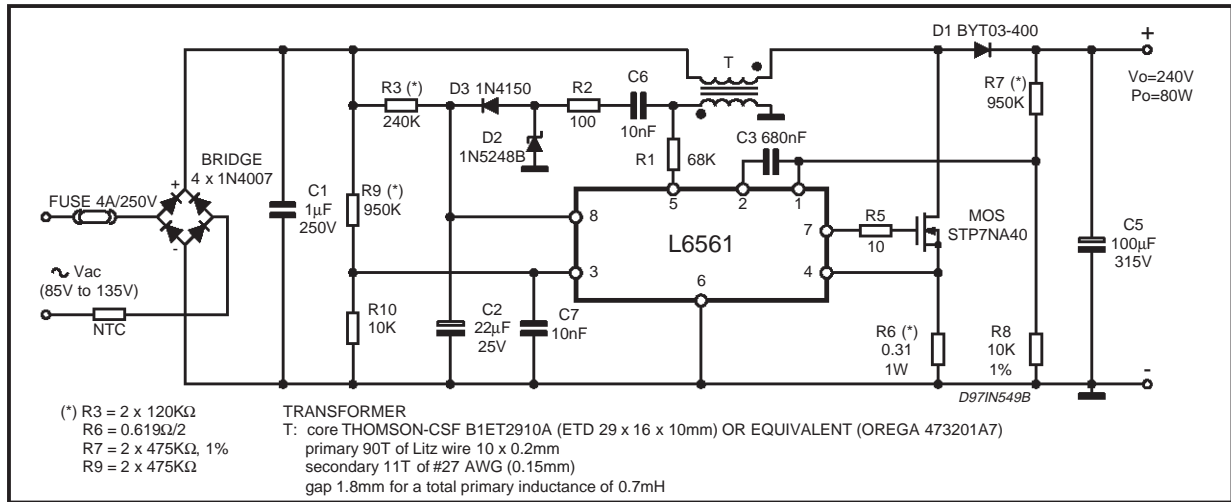


Figure 4. Typical Application Circuit (120W, 220VAC)

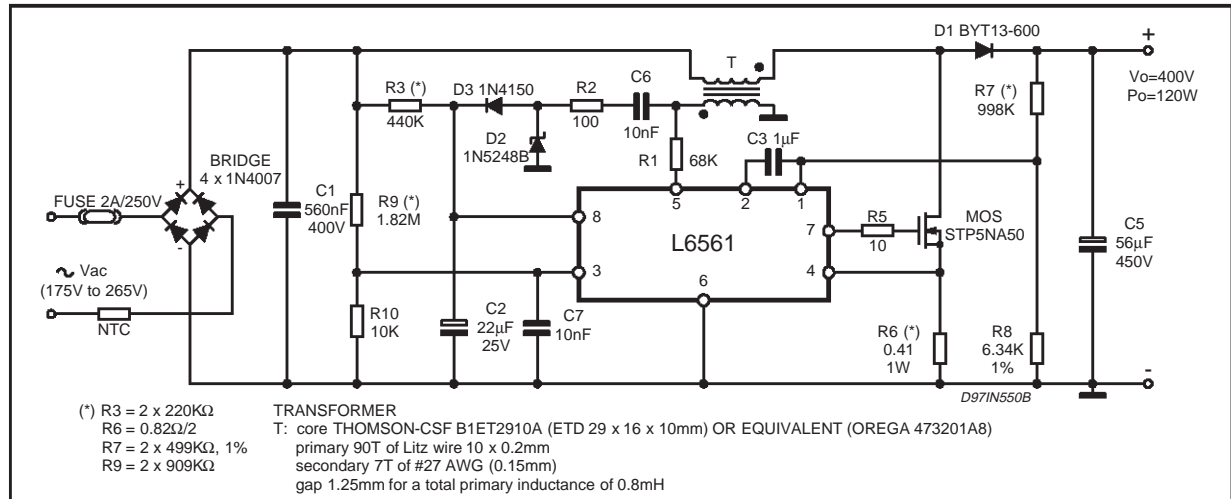


Figure 5. Wide-Range Application (80W)

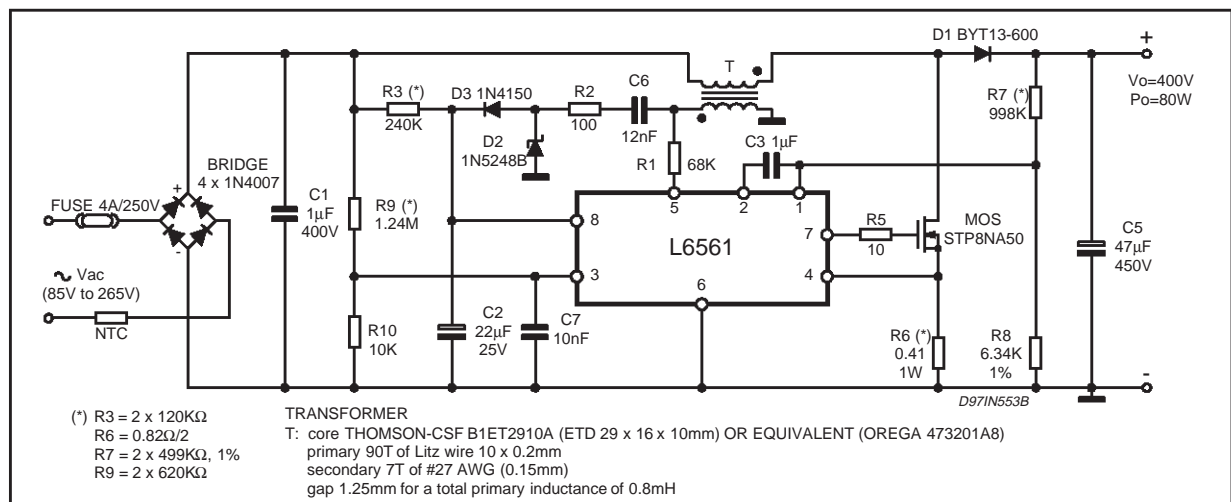


Figure 6. P.C. Board and Components Layout of the Fig. 3, 4 and 5 (1:1.25 scale)

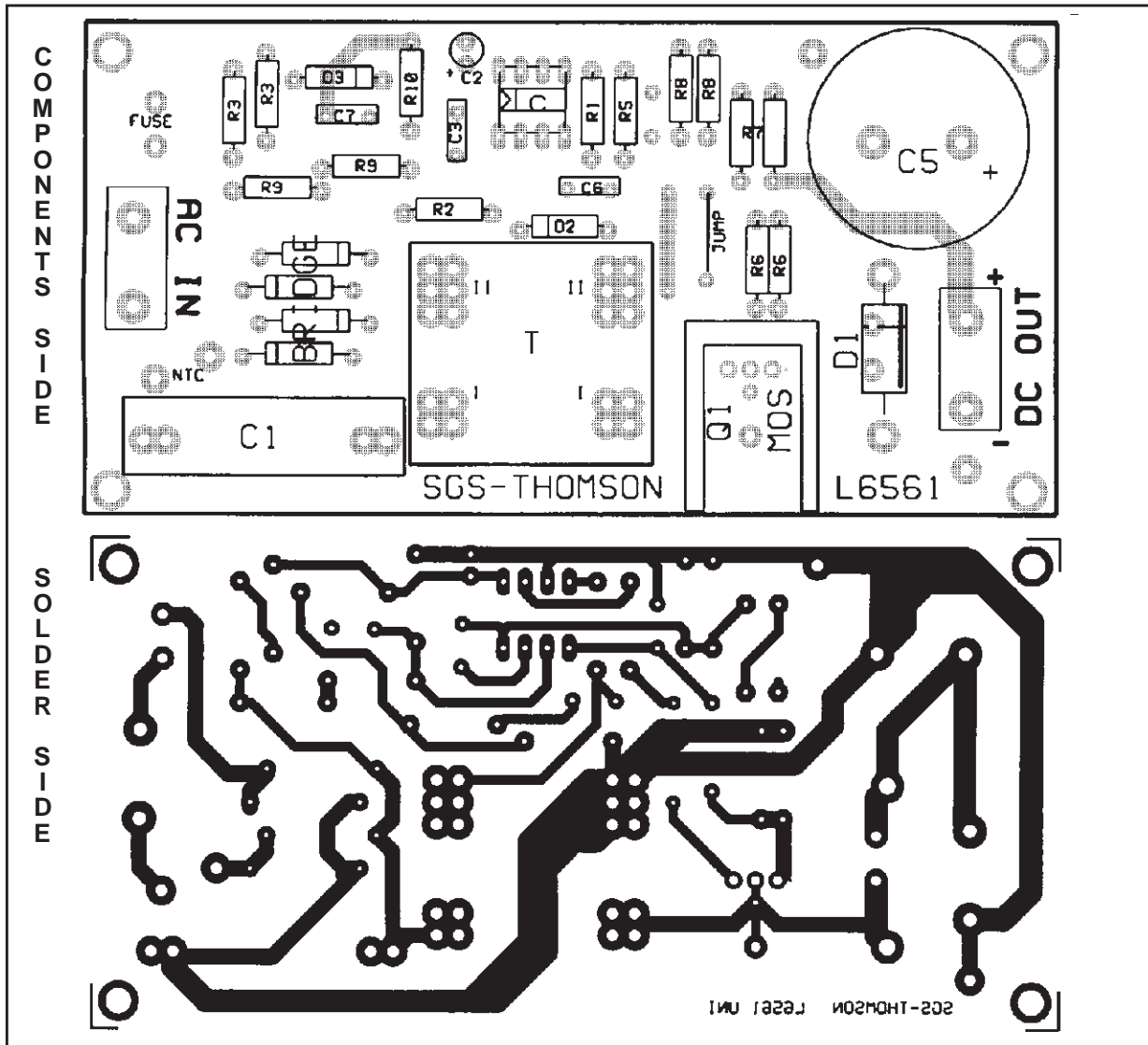


Figure 7. OVP Current Threshold vs. Temperature

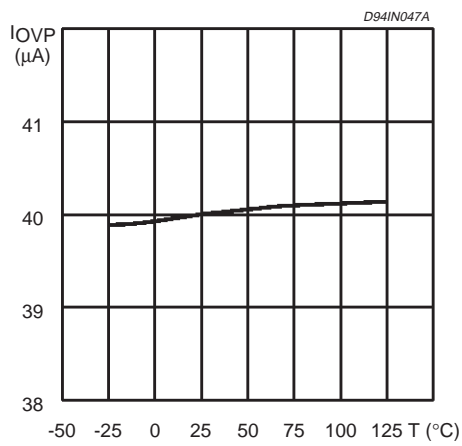


Figure 8. Undervoltage Lockout Threshold vs. Temperature

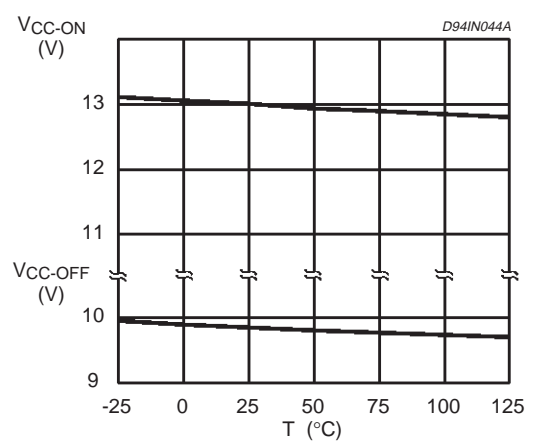


Figure 9. Supply Current vs. Supply Voltage

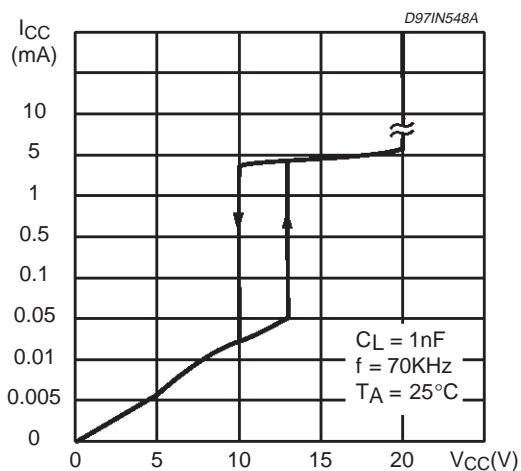


Figure 10. Voltage Feedback Input Threshold vs. Temperature

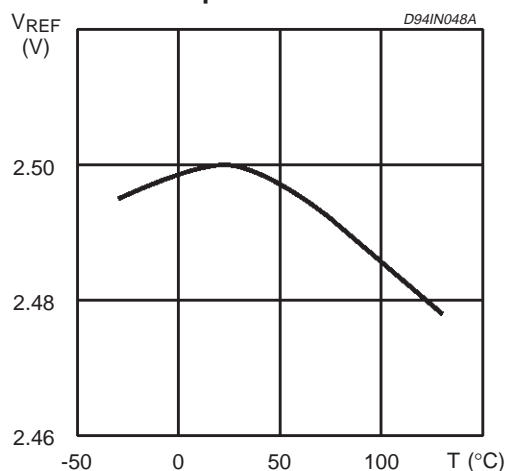


Figure 11. Output Saturation Voltage vs. Sink Current

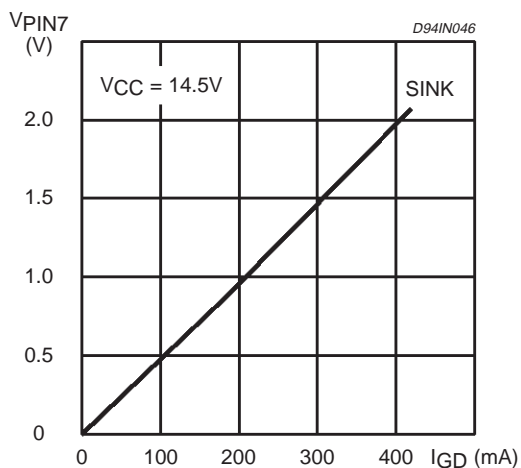


Figure 12. Output Saturation Voltage vs. Source Current

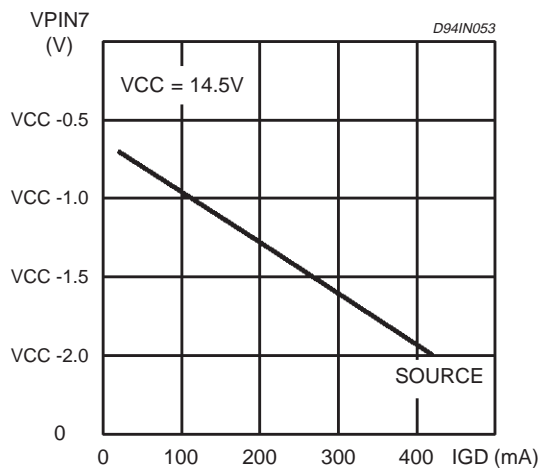
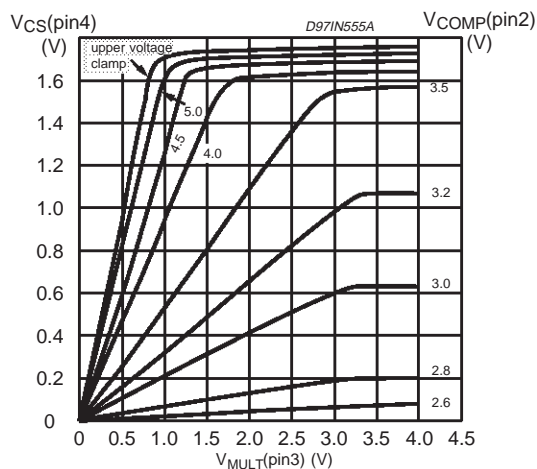
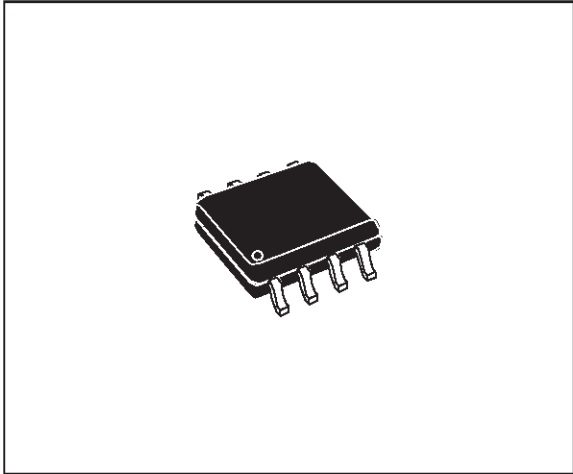


Figure 13. Multiplier Characteristics Family



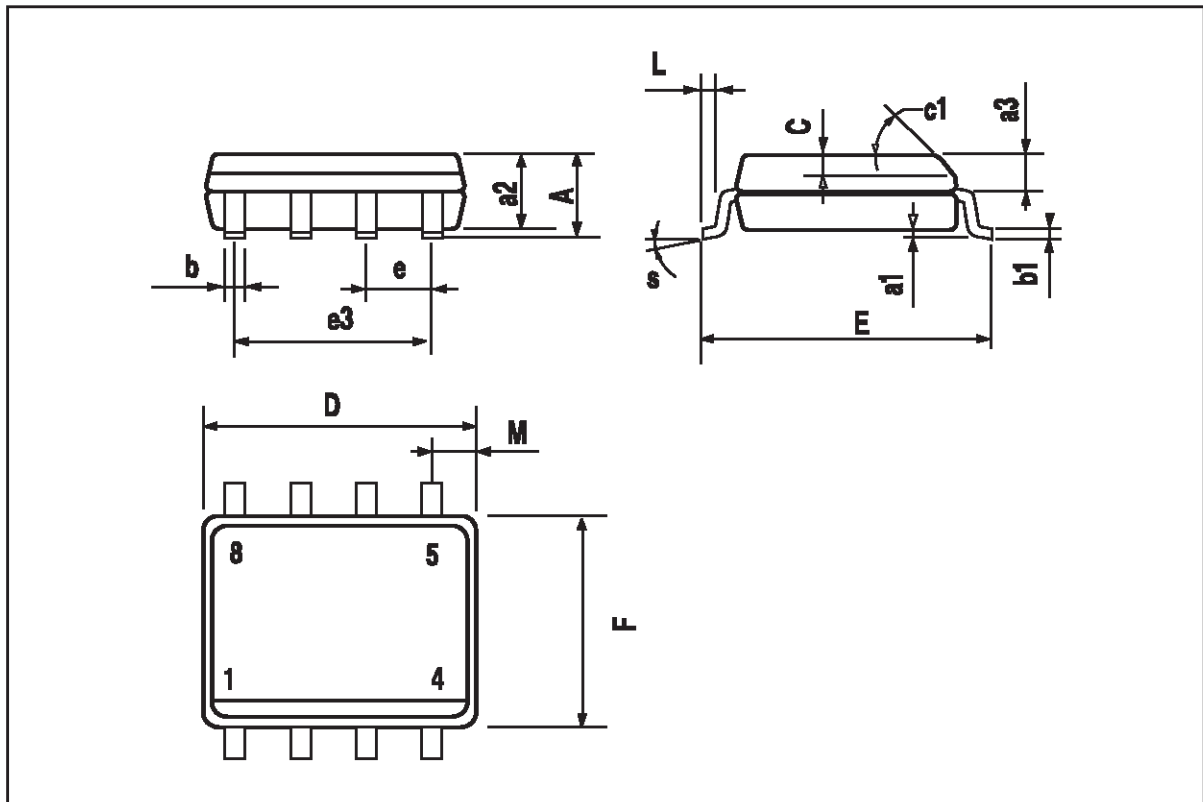
DIM.	mm			inch		
	MIN.	TYP.	MAX.	MIN.	TYP.	MAX.
A			1.75			0.069
a1	0.1		0.25	0.004		0.010
a2			1.65			0.065
a3	0.65		0.85	0.026		0.033
b	0.35		0.48	0.014		0.019
b1	0.19		0.25	0.007		0.010
C	0.25		0.5	0.010		0.020
c1	45° (typ.)					
D (1)	4.8		5.0	0.189		0.197
E	5.8		6.2	0.228		0.244
e		1.27			0.050	
e3		3.81			0.150	
F (1)	3.8		4.0	0.15		0.157
L	0.4		1.27	0.016		0.050
M			0.6			0.024
S	8° (max.)					

OUTLINE AND MECHANICAL DATA



SO8

(1) D and F do not include mold flash or protrusions. Mold flash or protrusions shall not exceed 0.15mm (.006inch).



.Information furnished is believed to be accurate and reliable. However, STMicroelectronics assumes no responsibility for the consequences of use of such information nor for any infringement of patents or other rights of third parties which may result from its use. No license is granted by implication or otherwise under any patent or patent rights of STMicroelectronics. Specification mentioned in this publication are subject to change without notice. This publication supersedes and replaces all information previously supplied. STMicroelectronics products are not authorized for use as critical components in life support devices or systems without express written approval of STMicroelectronics.

The ST logo is a registered trademark of STMicroelectronics

© 1999 STMicroelectronics – Printed in Italy – All Rights Reserved

STMicroelectronics GROUP OF COMPANIES

Australia - Brazil - Canada - China - France - Germany - Italy - Japan - Korea - Malaysia - Malta - Mexico - Morocco - The Netherlands - Singapore - Spain - Sweden - Switzerland - Taiwan - Thailand - United Kingdom - U.S.A.

<http://www.st.com>

