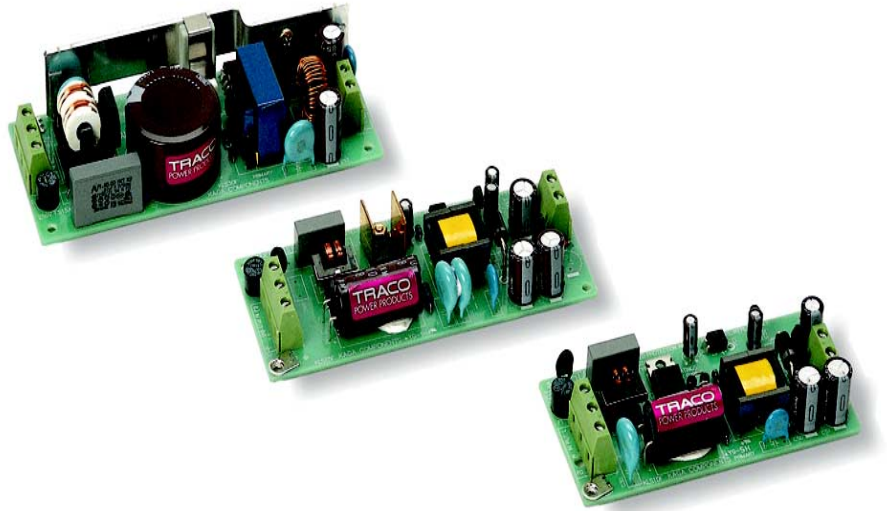


Features

- Ultracompact Open-Frame Switching Power Supply
- Easy Connection via Screw Terminal Block
- Universal Input 85–264 VAC, 50/60 Hz
- Industrial Grade Components
- Low Ripple and Noise
- Overload Protection
- EMI meets EN55022, Class B and FCC, Level B
- Low Profile
- 2 Year Product Warranty



The TOF Series switching power supplies are the best choice for all space critical applications. They feature ultra-compact dimensions and a low profile. A further new feature is the connection via screw terminals which makes installation very simple. Compliance with international safety standards (CE /UL) and EMC specifications qualify this product for worldwide use. A very high reliability is guaranteed by the use of industrial quality grade components.

Models			
Ordercode	Output Power	Output Voltage	Output Current max.
TOF 10-05S TOF 10-12S TOF 10-15S TOF 10-24S	10 Watt	5 VDC 12 VDC 15 VDC 24 VDC	2 A 0.9 A 0.7 A 0.5 A
TOF 15-05S TOF 15-12S TOF 15-15S TOF 15-24S	15 Watt	5 VDC 12 VDC 15 VDC 24 VDC	3 A 1.3 A 1 A 0.7 A
TOF 30-05S TOF 30-12S TOF 30-15S TOF 30-24S	30 Watt	5 VDC 12 VDC 15 VDC 24 VDC	6 A 2.5 A 2 A 1.3 A
TOF 50-05S TOF 50-12S TOF 50-15S TOF 50-24S	50 Watt	5 VDC 12 VDC 15 VDC 24 VDC	10 A 4.3 A 3.5 A 2.1 A

Input Specifications

Input voltage range	85 – 264 VAC
Input frequency	47 – 63 Hz
Inrush current at 25°C (< 2ms)	20 A max. (Vin 120 VAC) 40 A max. (Vin 230 VAC)

Output Specifications

Voltage set accuracy	± 2 %
Regulation	– Input variation < 0.5 % – Load variation (10–90 %) ± 0.5 % max.
Ripple and noise (20Mhz Bandwidth)	1% Vout + 50 mV pp typ.
Overload protection by current limit at	>110 % Inom.
Capacitive load	10'000 µF

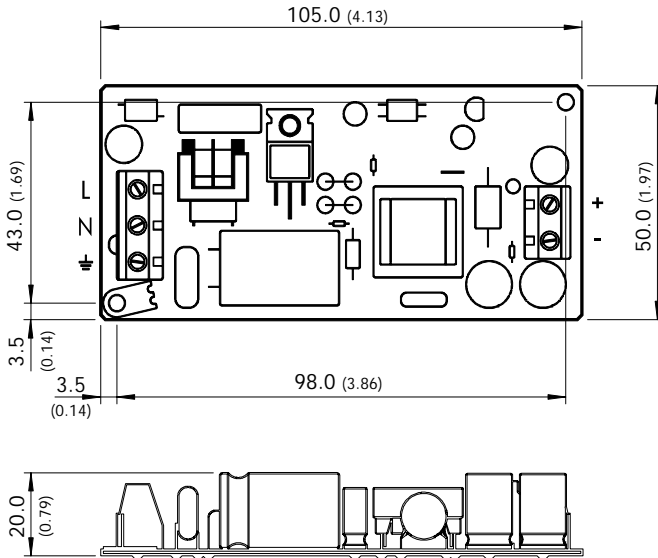
General Specifications

Temperature ranges	– Operating – 10 °C...+60 °C ambient temp. max. – Derating above 50°C 2% /°C – Storage (non operating) – 20 °C...+ 75 °C
Temperature coefficient	0.02 % / °C
Efficiency	76 % typ.
Humidity (non condensing)	85 % rel max.
Switching frequency	100 kHz typ. (PWM)
Hold-up time	– Vin = 115 VAC 20 ms typ. – Vin = 230 VAC 20 ms typ.
I/O-Isolation voltage	3'000 VAC
Leakage current	0.5 mA RMS typ. / 230 VAC / 50 Hz
EMI / RFI conducted	EN 55022, class B; FCC Part 15, level B
EMC compliance	– Electrostatic discharge ESD IEC / EN 61000-4-2 level 2 4 kV / 4 kV – RF field susceptibility IEC / EN 61000-4-3 level 2 3 V/m – Electrical fast transients/bursts on mainsline IEC / EN 61000-4-4 level 2 1 kV – Surge IEC / EN 61000-4-5 level 2 0.5 kV / 1 kV
Safety standards	IEC/ EN 60950, UL /cUL 1950 (File E141988)
Reliability, calculated MTBF (MIL-HDBK-217E)	> 250'000 h @ 25 °C
Vibration	10-55 Hz 0.5 mm width/ 1 minute cycle (3 directions each 30 minutes)
Shock	20 G (3 directions each 3 times)

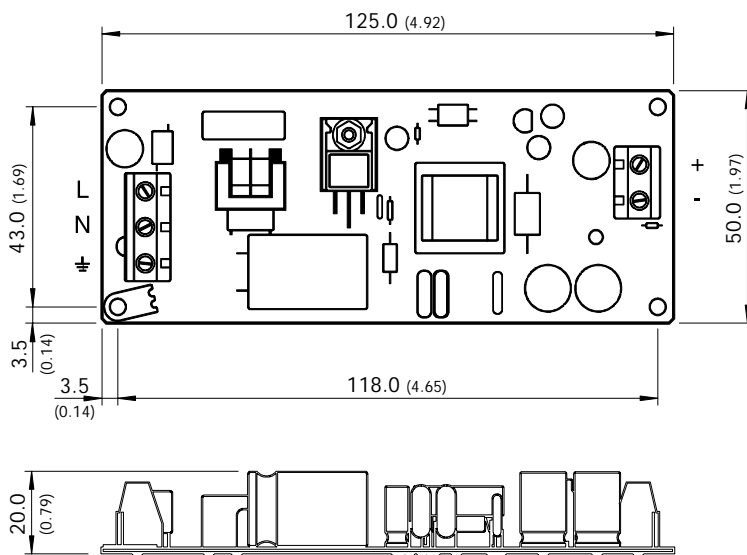
All specifications valid at nominal input voltage, full load and +25°C after warm-up time unless otherwise stated.

Outline Dimensions mm (inches)

TOF 10 Watt



TOF 15 Watt



Weight	TOF 10	80 g (2.8 oz)
	TOF 15	90 g (3.2 oz)

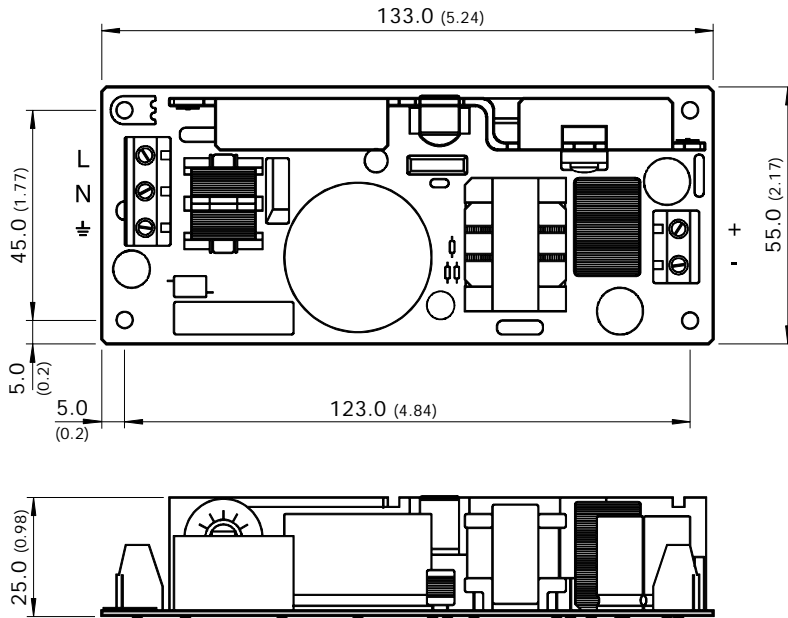
Tolerances: ± 0.5 mm (± 0.02)

Specifications can be changed without notice

<http://www.tracopower.com>

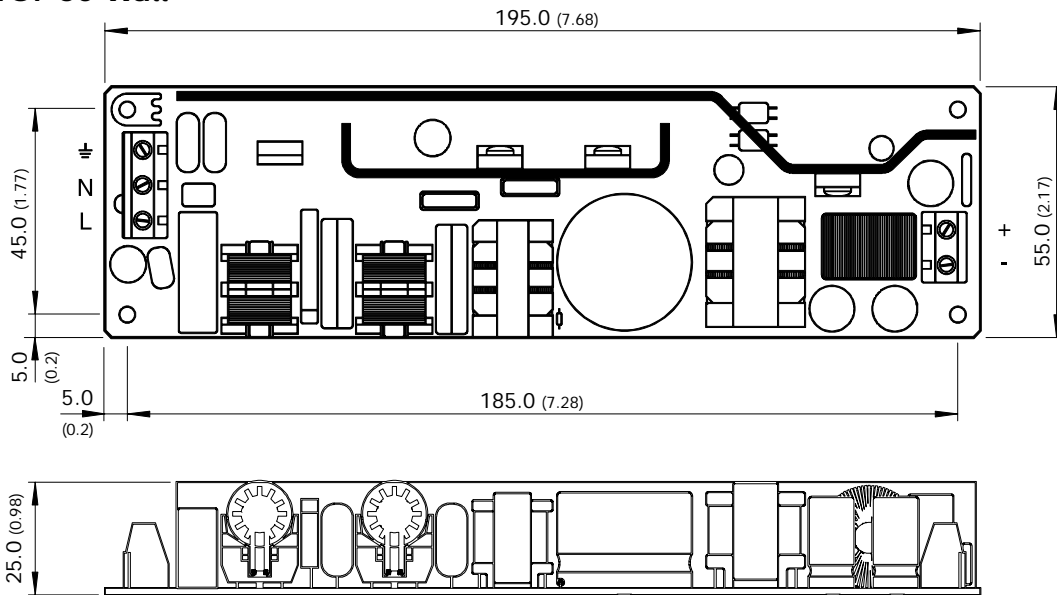
Outline Dimensions mm (inches)

TOF 30 Watt



Weight	TOF 30	170 g (6 oz)
	TOF 50	240 g (8.5 oz)

TOF 50 Watt



Tolerances: ± 0.5 mm (± 0.02)

Specifications can be changed without notice