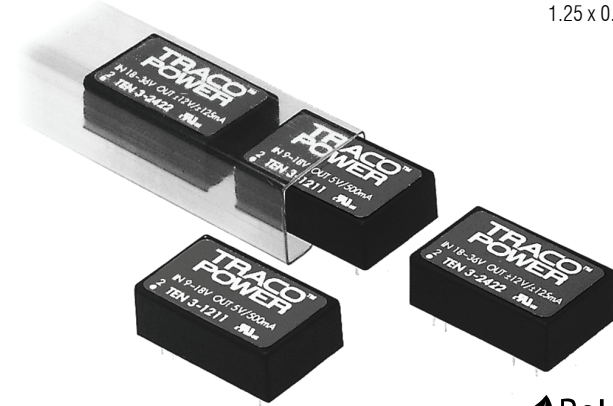


Features:

- DIP-24 Plastic Package
- Wide 2:1 Input Range
- I/O Isolation 1500 VDC
- Operating Temperature Range -40 °C to +85 °C
- Short Circuit Protection
- Input Filter to meet EN 55022, Class A
- Industry Standard Pinout
- 3 Year Warranty



Specifications:

Isolation	1500 VDC Input to Output
Operating Temperature	-40 ~ +85°C (Derate 3% per °C above 70°C)
Storage Temperature	-55 ~ +125°C
Set-Point Accuracy	±1%
Ripple / Noise	<50mV pk-pk (max)
Regulation	Line ±0.5%, Load ±1% Singles/2% Duals
Voltage Adjust Range	Fixed
OverCurrent Protection	>110% of rated current, constant current
Status & Control	n/a
Weight	12g
Options	n/a
Emissions	EN55022 Level A, FCC part 15 level A
Safety Standards	<ul style="list-style-type: none"> • CSA/UL60950 • IEC/EN60950

Models

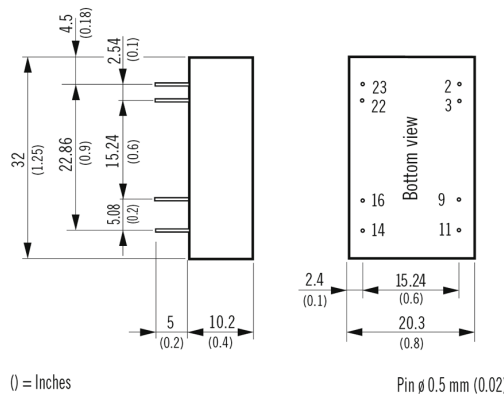
Models	Input	Output
TEN3-0510	4.5-9.0V	3.3 600mA
TEN3-0511	4.5-9.0V	5 500mA
TEN3-0512	4.5-9.0V	12 250mA
TEN3-0513	4.5-9.0V	15 200mA
TEN3-0521	4.5-9.0V	+5 250mA
TEN3-0522	4.5-9.0V	+12 125mA
TEN3-0523	4.5-9.0V	+15 100mA
TEN3-1210	9-18V	3.3 600mA
TEN3-1211	9-18V	5 500mA
TEN3-1212	9-18V	12 250mA
TEN3-1213	9-18V	15 200mA
TEN3-1221	9-18V	+5 250mA
TEN3-1222	9-18V	+12 125mA
TEN3-1223	9-18V	+15 100mA
TEN3-2410	18-36V	3.3 600mA
TEN3-2411	18-36V	5 500mA
TEN3-2412	18-36V	12 250mA
TEN3-2413	18-36V	15 200mA
TEN3-2421	18-36V	+5 250mA
TEN3-2422	18-36V	+12 125mA
TEN3-2423	18-36V	+15 100mA
TEN3-4810	36-75V	3.3 600mA
TEN3-4811	36-75V	5 500mA
TEN3-4812	36-75V	12 250mA
TEN3-4813	36-75V	15 200mA
TEN3-4821	36-75V	+5 250mA
TEN3-4822	36-75V	+12 125mA
TEN3-4823	36-75V	+15 100mA

Download Information:

Download Copy of this specification:
<http://www.powergatellc.com/pdfs/TEN3.pdf>

Detailed Spec:
<http://www.tracopower.com/products/ten3.pdf>

Mechanical Specification:



Specifications are subject to change without notice. If RoHS compliant products are required, please specify clearly on your Purchase Order

Pin-Out		
Pin	Single output	Dual output
2	- Vin (GND)	- Vin (GND)
3	- Vin (GND)	- Vin (GND)
9	No pin	Common
11	No con.	- Vout
14	+ Vout	+ Vout
16	- Vout	Common
22	+ Vin (Vcc)	+ Vin (Vcc)
23	+ Vin (Vcc)	+ Vin (Vcc)