

# NCP1308

## PWM Current-Mode Controller for Free-Running Quasi-Resonant Operation

The NCP1308 combines a true current mode modulator and a demagnetization detector to ensure full borderline/Critical Conduction Mode in any load/line conditions and minimum drain voltage switching (Quasi-Resonant operation). Due to its inherent skip cycle capability, the controller enters burst mode as soon as the power demand falls below a predetermined level. As this happens at low peak current, no audible noise can be heard. An internal 10  $\mu$ s timer prevents the free-run frequency to exceed a high frequency (therefore below the 150 kHz CISPR-22 EMI starting limit), while the skip adjustment capability lets the user select the frequency at which the burst foldback takes place.

The Dynamic Self-Supply (DSS) drastically simplifies the transformer design in avoiding the use of an auxiliary winding to supply the NCP1308. This feature is particularly useful in applications where the output voltage varies during operation (e.g. battery chargers). Thanks to its high-voltage technology, the IC is directly connected to the high-voltage DC rail. As a result, the short-circuit trip point is not dependent upon any  $V_{CC}$  auxiliary level.

The transformer core reset detection is done through an auxiliary winding which, brought via a dedicated pin. If an OVP is detected on the  $V_{CC}$  pin, the IC permanently latches off.

Finally, the continuous feedback signal monitoring implemented with an Overcurrent fault Protection circuitry (OCP) makes the final design rugged and reliable.

### Features

- Free-Running Borderline/Critical Mode Quasi-Resonant Operation
- Current-Mode with Adjustable Skip Cycle Capability
- Dynamic Self-Supply Type of  $V_{CC}$
- Auto-Recovery Overcurrent Protection
- Improved UVLO for  $V_{CC}$  below 10 V
- Latching Overvoltage Protection on  $V_{CC}$
- 500 mA Peak Current Source/Sink Capability
- Internal 1.0 ms Soft-Start
- Internal 10  $\mu$ s Minimum  $T_{OFF}$
- Adjustable Skip Level
- Internal Temperature Shutdown
- Internal Leading Edge Blanking
- Direct Optocoupler Connection
- SPICE Models Available for TRANSient Analysis
- This is a Pb-Free Device

### Typical Applications

- AC-DC Adapters for Notebooks, etc.
- Offline Battery Chargers
- Consumer Electronics (DVD Players, Set-Top Boxes, TVs, etc.)
- Auxiliary Power Supplies (USB, Appliances, TVs, etc.)



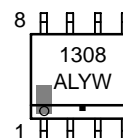
ON Semiconductor®

<http://onsemi.com>



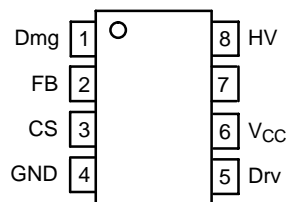
SOIC-8  
DR SUFFIX  
CASE 751

### MARKING DIAGRAM



- A = Assembly Location
- L = Wafer Lot
- Y = Year
- W = Work Week
- = Pb-Free Package

### PIN CONNECTIONS



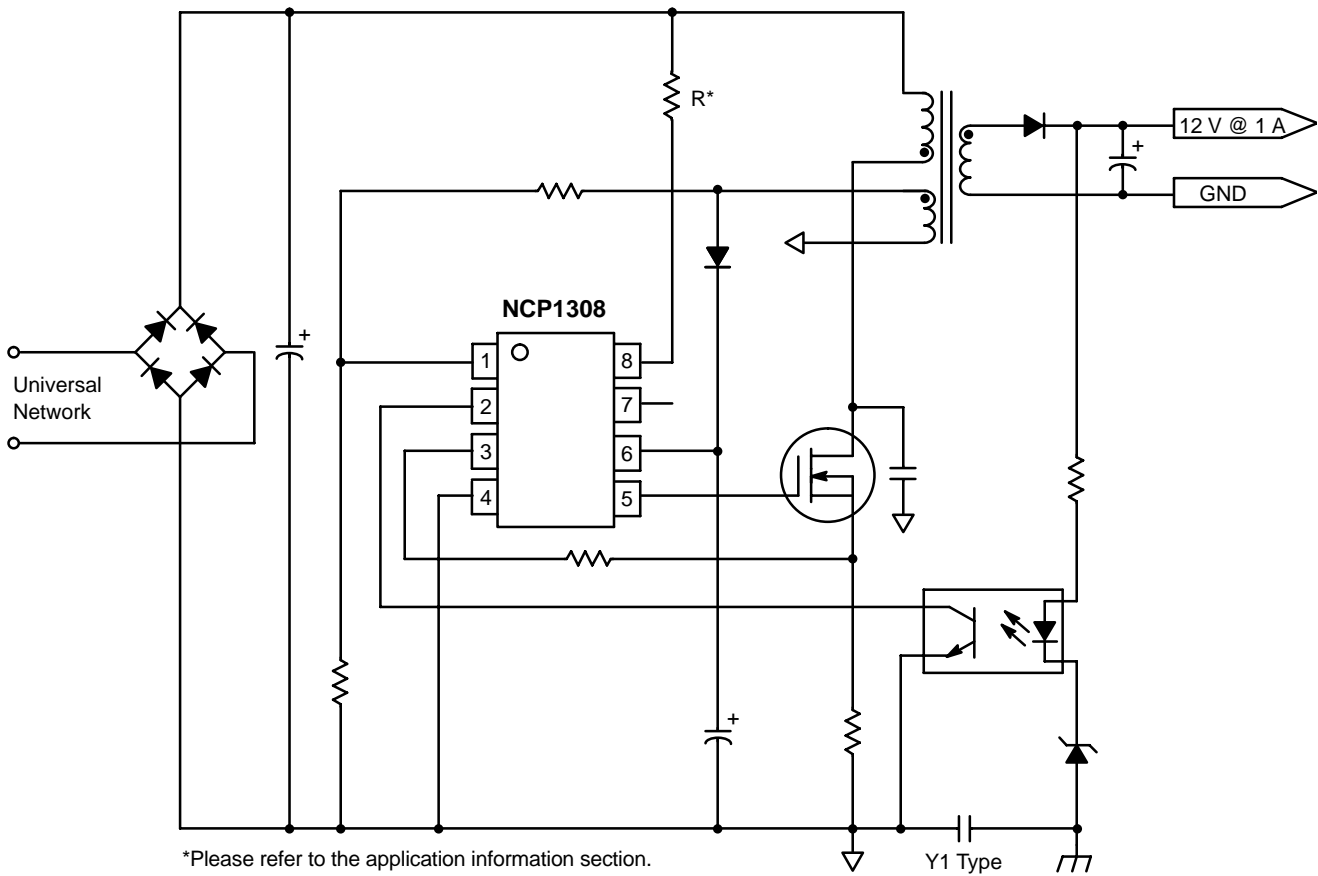
(Top View)

### ORDERING INFORMATION

Device	Package	Shipping†
NCP1308DR2G	SOIC-8 (Pb-Free)	2500/Tape & Reel

†For information on tape and reel specifications, including part orientation and tape sizes, please refer to our Tape and Reel Packaging Specifications Brochure, BRD8011/D.

## NCP1308



**Figure 1. Typical Application Schematic**

### PIN FUNCTION DESCRIPTION

Pin	Symbol	Function	Description
1	Dmg	Core reset detection	The auxiliary FLYBACK signal ensures discontinuous operation.
2	FB	Sets the peak current setpoint	By connecting an optocoupler to this pin, the peak current setpoint is adjusted accordingly to the output power demand. By bringing this pin below the internal skip level, the device shuts off.
3	CS	Current sense input and skip cycle level selection	This pin senses the primary current and routes it to the internal comparator via an LEB. By inserting a resistor in series with the pin, you control the level at which the skip operation takes place.
4	GND	The IC ground	–
5	Drv	Driving pulses	The driver's output to an external MOSFET.
6	V <sub>CC</sub>	Supplies the IC	This pin is connected to an external bulk capacitor of typically 10 μF. If an auxiliary winding brings this pin above 16 V typical, the circuit permanently latches off.
7	NC	–	This unconnected pin ensures adequate creepage distance.
8	HV	High-voltage pin	Connected to the high-voltage rail, this pin injects a constant current into the V <sub>CC</sub> bulk capacitor.

# NCP1308

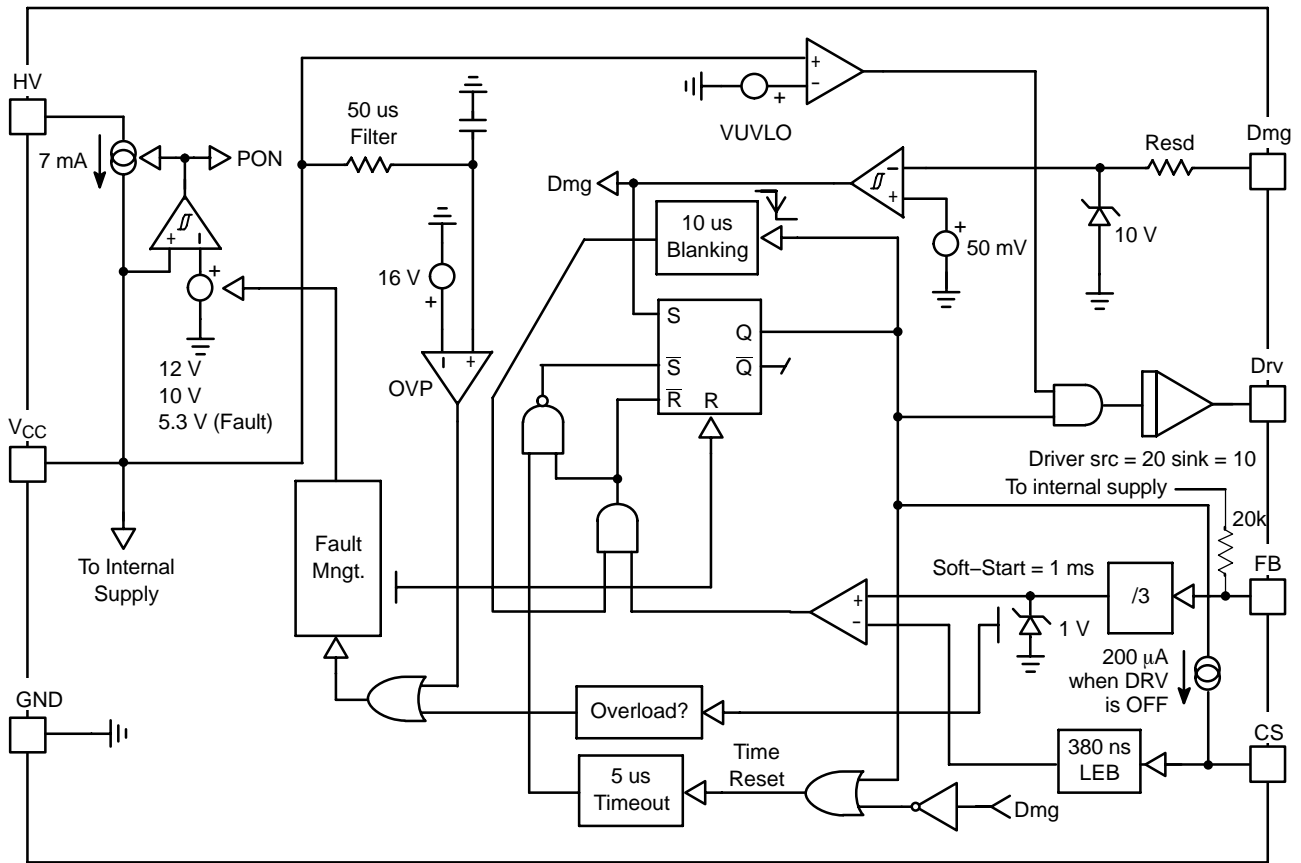


Figure 2. Internal Circuit Architecture

## MAXIMUM RATINGS

Rating	Symbol	Value	Unit
Power Supply Voltage	$V_{CC}$ , Drv	20	V
Maximum Voltage on all other pins except Pin 8 (HV), Pin 6 ( $V_{CC}$ ) and Pin 5 (Drv) and Pin 1 (Dmg)	-	-0.3 to 10	V
Maximum Current into all pins except $V_{CC}$ (6), HV (8) and Dmg (1) when 10 V ESD diodes are activated	-	5.0	mA
Maximum Current in Pin 1	Idem	+3.0/-2.0	mA
Thermal Resistance, Junction-to-Case	$R_{\theta JC}$	57	$^{\circ}C/W$
Thermal Resistance, Junction-to-Air	$R_{\theta JA}$	178	$^{\circ}C/W$
Maximum Junction Temperature	$T_{JMAX}$	150	$^{\circ}C$
Temperature Shutdown	-	155	$^{\circ}C$
Hysteresis in Shutdown	-	30	$^{\circ}C$
Storage Temperature Range	-	-60 to +150	$^{\circ}C$
ESD Capability, Human Body Model (All pins except HV)	-	2.0	kV
ESD Capability, Machine Model	-	200	V
Maximum Voltage on Pin 8 (HV), Pin 6 ( $V_{CC}$ ) Decoupled to Ground with 10 $\mu F$	$V_{HVMAX}$	500	V
Minimum Voltage on Pin 8 (HV), Pin 6 ( $V_{CC}$ ) Decoupled to Ground with 10 $\mu F$	$V_{HVMIN}$	40	V

Maximum ratings are those values beyond which device damage can occur. Maximum ratings applied to the device are individual stress limit values (not normal operating conditions) and are not valid simultaneously. If these limits are exceeded, device functional operation is not implied, damage may occur and reliability may be affected.

# NCP1308

**ELECTRICAL CHARACTERISTICS** (For typical values  $T_J = 25^\circ\text{C}$ , for min/max values  $T_J = 0^\circ\text{C}$  to  $+125^\circ\text{C}$ , Max  $T_J = 150^\circ\text{C}$ ,  $V_{CC} = 11\text{ V}$  unless otherwise noted.)

Characteristic	Pin	Symbol	Min	Typ	Max	Unit
----------------	-----	--------	-----	-----	-----	------

## DYNAMIC SELF SUPPLY

$V_{CC}$ Increasing Level at which the Current Source Turns–Off	6	$V_{CCOFF}$	10.8	12	12.9	V
$V_{CC}$ Decreasing Level at which the Current Source Turns–On	6	$V_{CCON}$	9.1	10	10.6	V
$V_{CC}$ Decreasing Level at which the Latchoff Phase Ends	6	$V_{CClatch}$	–	5.3	–	V
$V_{CC}$ Level at which pulses are disabled	6	VUVLO	–	$V_{CCON} - 200\text{ mV}$	–	V
Internal IC Consumption, No Output Load on Pin 5, $F_{SW} = 60\text{ kHz}$	6	ICC1	–	1.0	1.3 (Note 1)	mA
Internal IC Consumption, 1.0 nF Output Load on Pin 5, $F_{SW} = 60\text{ kHz}$	6	ICC2	–	1.6	2.0 (Note 1)	mA
Internal IC Consumption, Latchoff Phase, $V_{CC} = 6.0\text{ V}$	6	ICC3	–	330	–	$\mu\text{A}$

## INTERNAL STARTUP CURRENT SOURCE ( $T_J = 0^\circ\text{C}$ )

High–Voltage Current Source, $V_{CC} = 10\text{ V}$	8	IC1	4.3	7.0	9.6	mA
High–Voltage Current Source, $V_{CC} = 0$	8	IC2	–	8.0	–	mA

## DRIVE OUTPUT

Output Voltage Rise–Time @ $CL = 1.0\text{ nF}$ , 10–90% of Output Signal	5	$T_r$	–	40	–	ns
Output Voltage Fall–Time @ $CL = 1.0\text{ nF}$ , 10–90% of Output Signal	5	$T_f$	–	20	–	ns
Source Resistance	5	$R_{OH}$	12	20	36	$\Omega$
Sink Resistance	5	$R_{OL}$	5.0	10	20	$\Omega$

## CURRENT COMPARATOR

Input Bias Current @ 1.0 V Input Level on Pin 3	3	$I_{IB}$	–	0.02	–	$\mu\text{A}$
Maximum Internal Current Setpoint	3	$I_{Limit}$	0.92	1.0	1.12	V
Propagation Delay from Current Detection to Gate OFF State	3	$T_{DEL}$	–	100	160	ns
Leading Edge Blanking Duration	3	$T_{LEB}$	–	380	–	ns
Internal Current Offset Injected on the CS Pin During OFF Time	3	$I_{skip}$	–	200	–	$\mu\text{A}$

## OVERVOLTAGE SECTION

Voltage on the $V_{CC}$ above which the controller latches off	6	VOVP	14.3	16	17.8	V
Integration Time Constraint on the OVP comparator	6	$T_{int}$	–	50	–	$\mu\text{s}$

## FEEDBACK SECTION ( $V_{CC} = 11\text{ V}$ , Pin 5 loaded by 1.0 k $\Omega$ )

Internal Pullup Resistor	2	Rup	–	20	–	k $\Omega$
Pin 3 to Current Setpoint Division Ratio	–	$I_{ratio}$	–	3.3	–	–
Internal Soft–Start	–	$T_{ss}$	–	1.0	–	ms

## DEMAGNETIZATION DETECTION BLOCK

Input Threshold Voltage (Vpin 1 Decreasing)	1	$V_{th}$	35	50	90	mV
Hysteresis (Vpin 1 Decreasing)	1	$V_H$	–	20	–	mV
Input Clamp Voltage						V
High State ( $I_{pin 1} = 3.0\text{ mA}$ )	1	$V_{CH}$	8.0	10	12	
Low State ( $I_{pin 1} = -2.0\text{ mA}$ )	1	$V_{CL}$	-0.9	-0.7	-0.5	
Dmg Propagation Delay	1	$T_{dem}$	–	210	–	ns
Internal Input Capacitance at Vpin 1 = 1.0 V	1	$C_{par}$	–	10	–	pF
Minimum $T_{OFF}$ (Internal Blanking Delay After $T_{ON}$ )	1	$T_{blank}$	–	10	–	$\mu\text{s}$
Timeout After Last Dmg Transition	1	$T_{out}$	–	5.0	–	$\mu\text{s}$

1. Max value at  $T_J = 0^\circ\text{C}$ , please see characterization curves.

# NCP1308

## TYPICAL CHARACTERISTICS

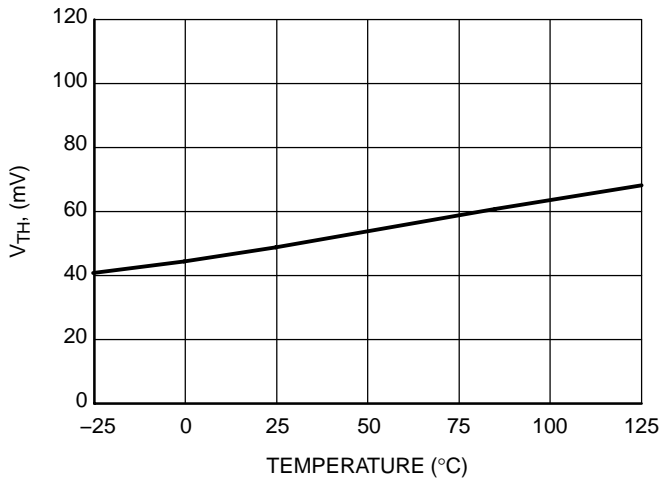


Figure 3. Demagnetization Threshold vs. Temperature

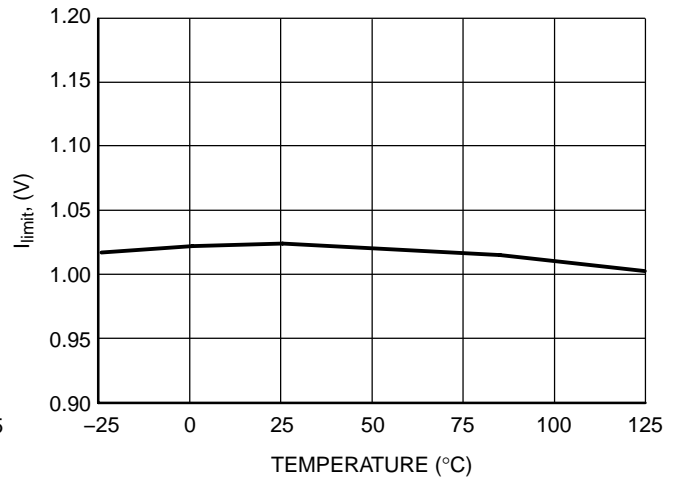


Figure 4. Maximum Peak Current Setpoint vs. Temperature

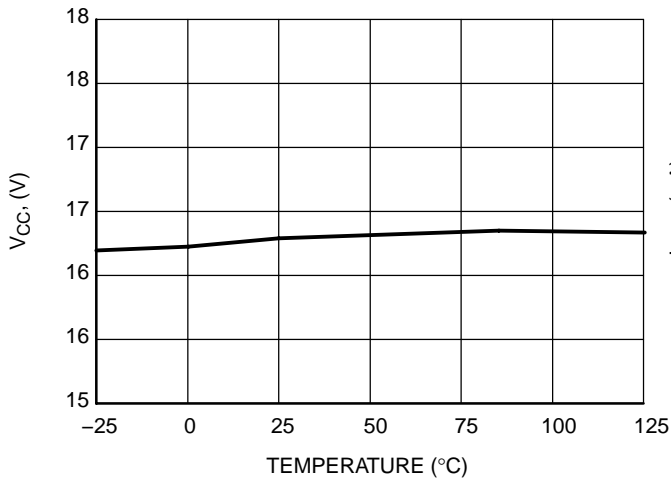


Figure 5. OVP Level Threshold vs. Temperature

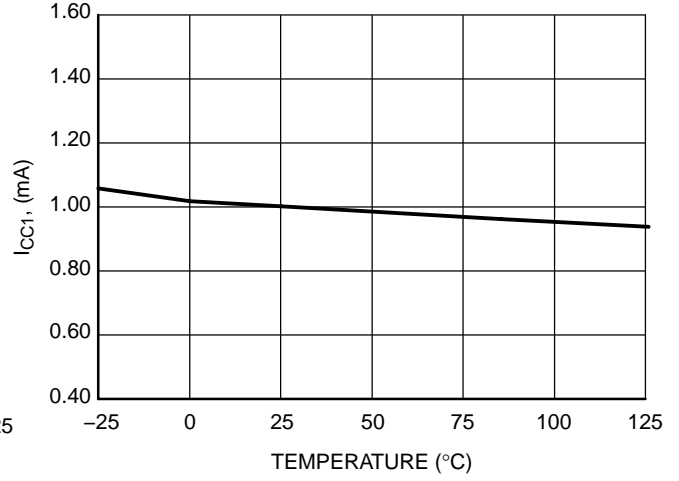


Figure 6. Internal IC Consumption (No Output Load) vs. Temperature

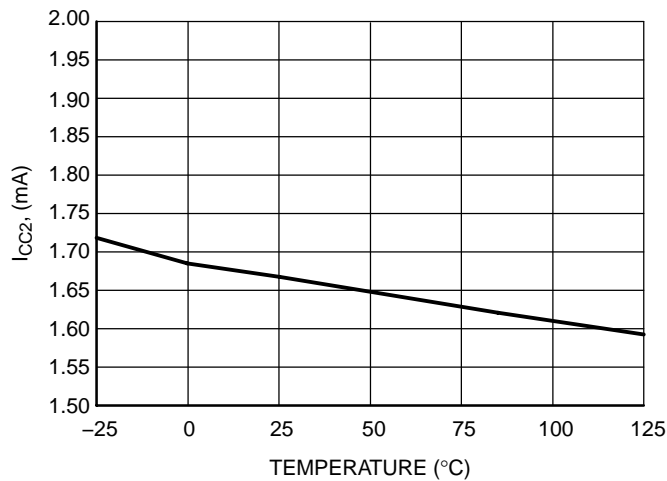
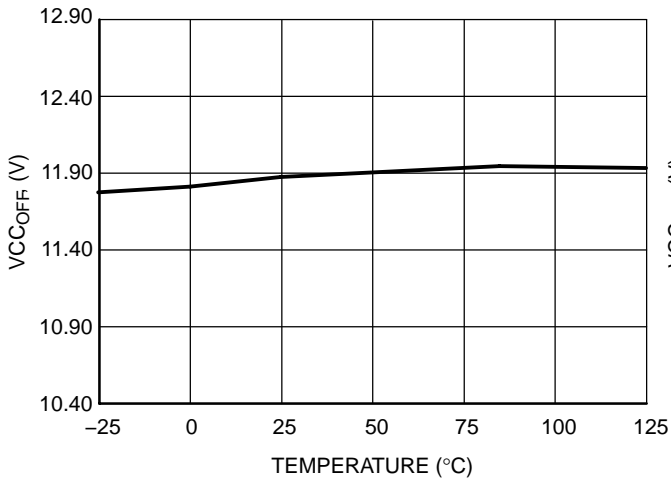


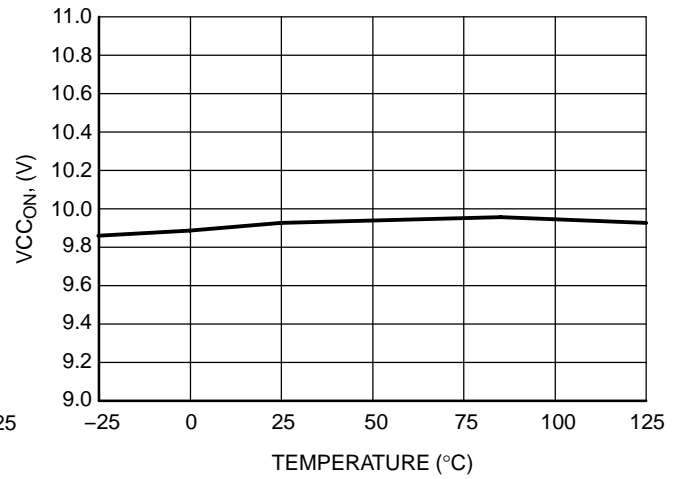
Figure 7. Internal IC Consumption (1.0 nF Load) vs. Temperature

# NCP1308

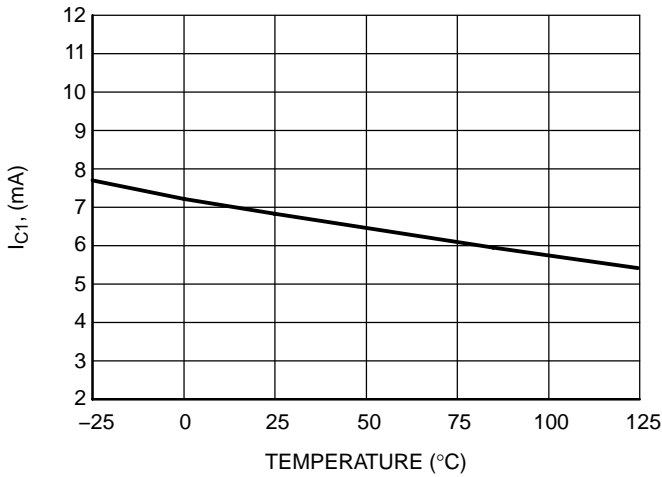
## TYPICAL CHARACTERISTICS



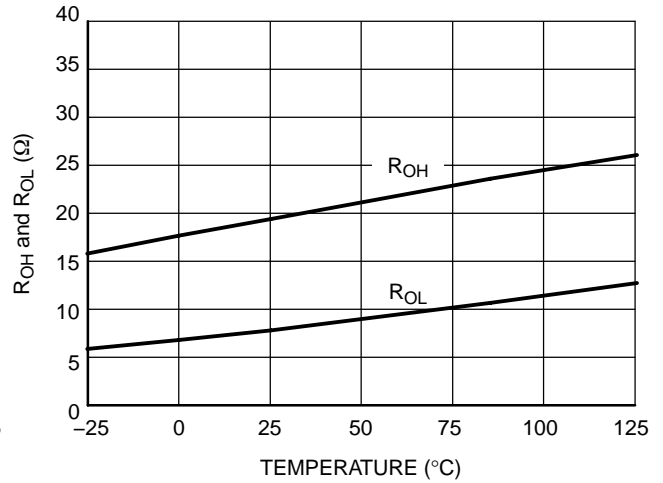
**Figure 8. V<sub>CC</sub> Increasing Level at which the Current Source Turns-off vs. Temperature**



**Figure 9. V<sub>CC</sub> Decreasing Level at which the Current Source Turns-on vs. Temperature**



**Figure 10. Internal Startup Current Source, V<sub>CC</sub> = 10 V vs. Temperature**



**Figure 11. Source and Sink Resistance vs. Temperature**

## APPLICATION INFORMATION

## INTRODUCTION

The NCP1308 implements a standard current mode architecture where the switch-off time is dictated by the peak current setpoint, whereas the core reset detection triggers the turn-on event. This component represents the ideal candidate where low part-count is the key parameter, particularly in low-cost AC/DC adapters, consumer electronics, auxiliary supplies, etc. Due to its high-performance High-Voltage technology, the NCP1308 incorporates all the necessary components/features needed to build a rugged and reliable Switch-Mode Power Supply (SMPS):

- **Transformer Core Reset Detection:** Borderline/critical operation is ensured whatever the operating conditions are. As a result, there are virtually no primary switch turn-on losses and no secondary diode recovery losses. The converter also stays a first-order system and accordingly eases the feedback loop design.
- **Quasi-Resonant Operation:** By delaying the turn-on event, it is possible to restart the MOSFET in the minimum of the drain-source wave, ensuring reduced EMI/video noise perturbations. In nominal power conditions, the NCP1308 operates in Borderline Conduction Mode (BCM) also called Critical Conduction Mode (CCM).
- **Dynamic Self-Supply (DSS):** Due to its Very High Voltage Integrated Circuit (VHVIC) technology, ON Semiconductor's NCP1308 allows for a direct pin connection to the high-voltage DC rail. A dynamic current source charges up a capacitor and thus provides a fully independent  $V_{CC}$  level to the NCP1308. As a result, there is no need for an auxiliary winding to supply the IC, whose management is always a problem in variable output voltage designs (e.g. battery chargers).
- **Overvoltage Protection (OVP):** By monitoring the  $V_{CC}$  pin via a 50  $\mu$ s time constant filter, the NCP1308 goes into latched fault condition whenever an overvoltage condition is detected. This occurs if  $V_{CC}$  goes above 16 V typically. The controller stays fully latched in this position until the  $V_{CC}$  is cycled down to 4 V, e.g. when the user unplugs the power supply from the mains outlet and re-plugs it.
- **Adjustable Skip Cycle Level:** By offering the ability to tailor the level at which the skip cycle takes place, the designer can make sure that the skip operation only occurs at low peak current. This point guarantees

a noise-free operation with cheap transformer. This option also offers the ability to fix the maximum switching frequency when entering light load conditions.

- **Overcurrent Protection (OCP):** By continuously monitoring the FB line activity, NCP1308 enters burst mode as soon as the power supply undergoes an overload. The device enters a safe low power operation that prevents from any lethal thermal runaway. As soon as the default disappears, the power supply resumes operation. Unlike other controllers, overload detection is performed independently of any auxiliary winding level. In presence of a bad coupling between both power and auxiliary windings, the short circuit detection can be severely affected. The DSS naturally shields you against these troubles.

**Dynamic Self-Supply**

The DSS principle is based on the charge/discharge of the  $V_{CC}$  bulk capacitor from a low level up to a higher level. We can easily describe the current source operation with some simple logical equations:

POWER-ON: IF  $V_{CC} < V_{CCOFF}$  THEN Current Source is ON, no output pulses

IF  $V_{CC}$  decreasing  $> V_{CCON}$  THEN Current Source is OFF, output is pulsing

IF  $V_{CC}$  increasing  $< V_{CCOFF}$  THEN Current Source is ON, output is pulsing

Typical values are:  $V_{CCOFF} = 12$  V,  $V_{CCON} = 10$  V

To better understand the operational principle, the diagram in Figure 12 offers the necessary light:

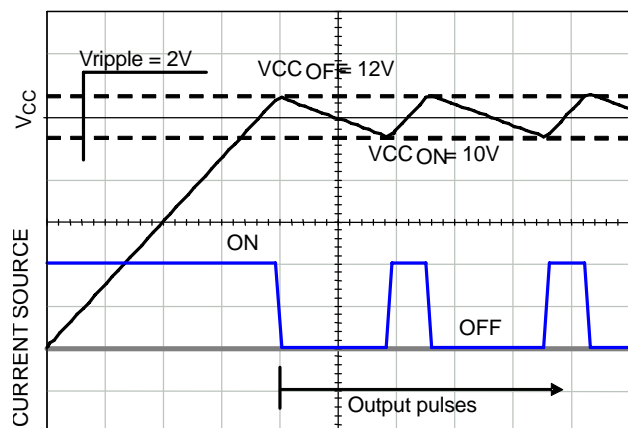


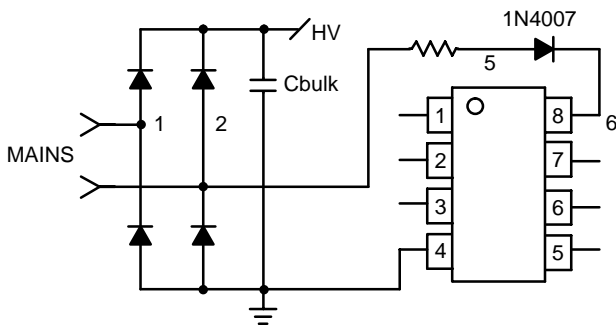
Figure 12. The Charge/Discharge Cycle over a 10  $\mu$ F  $V_{CC}$  Capacitor

The DSS behavior actually depends on the internal IC consumption and the MOSFET's gate charge  $Q_g$ . If we select a MOSFET like the MTP2N60E,  $Q_g$  equals 22 nC (max). With a maximum switching frequency selected at 75 kHz, the average power necessary to drive the MOSFET (excluding the driver efficiency and neglecting various voltage drops) is:  $F_{SW} \cdot Q_g \cdot V_{CC}$  with:

- $F_{SW}$  = maximum switching frequency
- $Q_g$  = MOSFET's gate charge
- $V_{CC}$  =  $V_{GS}$  level applied to the gate

To obtain the output current, simply divide this result by  $V_{CC}$ :  $I_{driver} = F_{SW} \cdot Q_g = 1.6$  mA. The total standby power consumption at no-load will therefore heavily rely on the internal IC consumption plus the above driving current (altered by the driver's efficiency). Suppose that the IC is supplied from a 350 VDC line. The current flowing through Pin 8 is a direct image of the NCP1308 consumption (neglecting the switching losses of the HV current source). If  $I_{CC2}$  equals 2.3 mA @  $T_J = 60^\circ\text{C}$ , then the power dissipated (lost) by the IC is simply:  $350\text{ V} \times 2.3\text{ mA} = 805\text{ mW}$ . For design and reliability reasons, it would be interesting to reduce this source of wasted power that increases the die temperature. This can be achieved by using different methods:

1. Use a MOSFET with lower gate charge  $Q_g$
2. Connect a diode to the half-wave portion to directly supply the HV pin:



**Figure 13. The Connection to the Half-Wave Signal Reduces the Dissipated Power on the Controller**

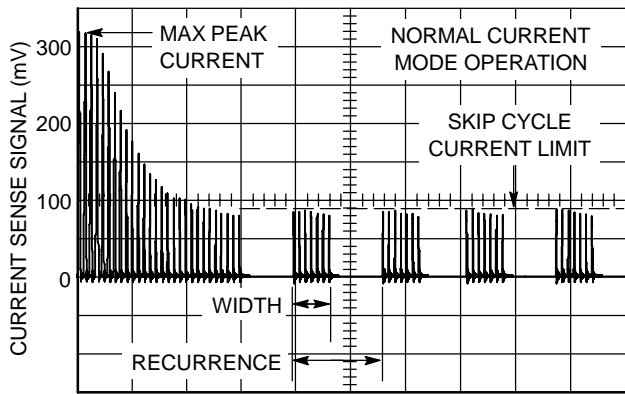
3. Permanently force the  $V_{CC}$  level above  $V_{CCON}$  with an auxiliary winding. It will automatically disconnect the internal startup source and the IC will be fully self-supplied from this winding. Again, the total power drawn from the mains will significantly decrease. Make sure the auxiliary voltage never exceeds the 16 V limit. When the power supply is switched off, an internal comparator makes sure that all output pulses are disable when  $V_{CC}$  crosses  $V_{CCON}$ .

**Skipping Cycle Mode**

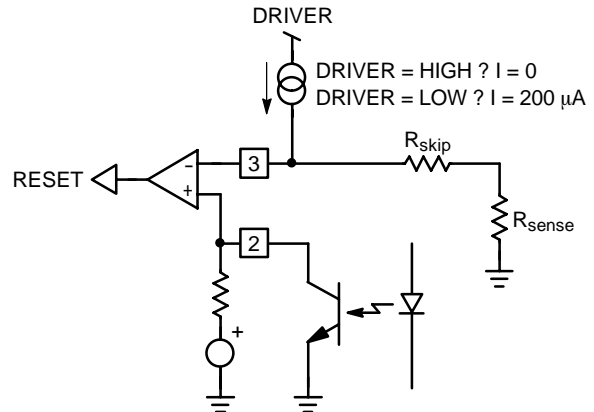
The NCP1308 automatically skips switching cycles when the output power demand drops below a given level. This is accomplished by monitoring the FB pin. In normal operation, Pin 2 imposes a peak current accordingly to the load value. If the load demand decreases, the internal loop asks for less peak current. When this setpoint reaches a determined level, the IC prevents the current from decreasing further down and starts to blank the output pulses: the IC enters the so-called skip cycle mode, also named controlled burst operation. The power transfer now depends upon the width of the pulse bunches (Figure 14) and follows the following formula:

$$\frac{1}{2} \cdot L_p \cdot I_p^2 \cdot F_{SW} \cdot D_{burst}$$

- $L_p$  = primary inductance
- $F_{SW}$  = switching frequency within the burst
- $I_p$  = peak current at which skip cycle occurs
- $D_{burst}$  = burst width/burst recurrence



**Figure 14. The Skip Cycle Takes Place at Low Peak Currents which Guarantees Noise-Free Operation**



**Figure 15. A Patented Method Allows for Skip Level Selection via a Series Resistor Inserted in Series with the Current**



The skip level selection is done through a simple resistor inserted between the current sense input and the sense element. Every time the NCP1308 output driver goes low, a 200  $\mu\text{A}$  source forces a current to flow through the sense pin (Figure 15): when the driver is high, the current source is off and the current sense information is normally processed. As soon as the driver goes low, the current source delivers 200  $\mu\text{A}$  and develops a ground-referenced voltage across  $R_{\text{skip}}$ . If this voltage is below the feedback voltage, the current sense comparator stays in the high state and the internal latch can be triggered by the next clock cycle. Now, if because of a low load mode the feedback voltage is below  $R_{\text{skip}}$  level, then the current sense comparator permanently resets the latch and the next clock cycle (given by the demagnetization detection) is ignored: we are skipping cycles as shown in Figure 15. As soon as the feedback voltage goes up again, there can be two situations: the recurrent period is small and a new demagnetization detection (next wave) signal triggers the NCP1308. To the opposite, in low output power conditions, no more ringing waves are present on the drain and the toggling of the current sense comparator together with the

internal 5  $\mu\text{s}$  timeout initiates a new cycle start. In normal operating conditions, e.g. when the drain oscillations are generous, the demagnetization comparator can detect the 50 mV crossing and gives the “green light”, alone, to re-activate the power switch. However, when skip cycle takes place (e.g. at low output power demands), the restart event slides along the drain ringing waveforms (actually the valley locations) which decays more or less quickly, depending on the  $L_{\text{primary}}-C_{\text{parasitic}}$  network damping factor. The situation can thus quickly occur where the ringing becomes too weak to be detected by the demagnetization comparator: it then permanently stays locked in a given position and can no longer deliver the “green light” to the controller. To help in this situation, the NCP1308 implements a 5  $\mu\text{s}$  timeout generator: each time the 50 mV crossing occurs, the timeout is reset. So, as long as the ringing becomes too low, the timeout generator starts to count and after 5  $\mu\text{s}$ , it delivers its “green light”. If the skip signal is already present then the controller restarts; otherwise the logic waits for it to set the drive output high. Figure 16 depicts these two different situations:

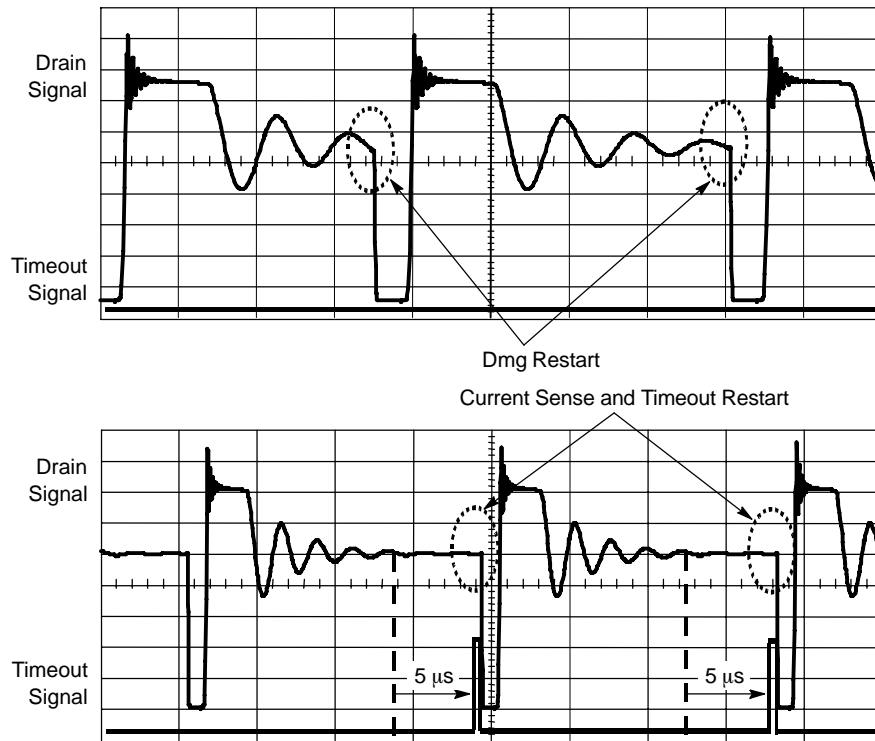
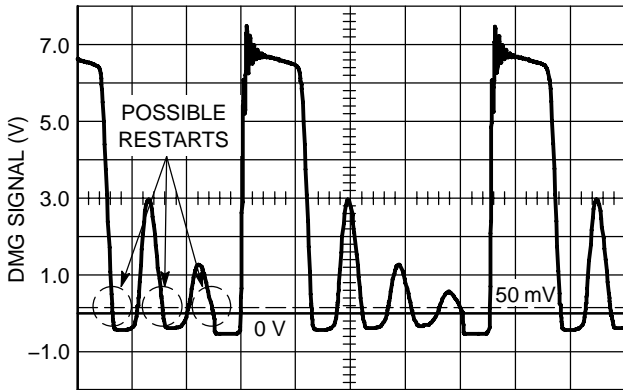


Figure 16. When the primary natural ringing becomes too low, the internal Timeout together with the sense comparator initiates a new cycle when FB passes the skip level.

**Demagnetization Detection**

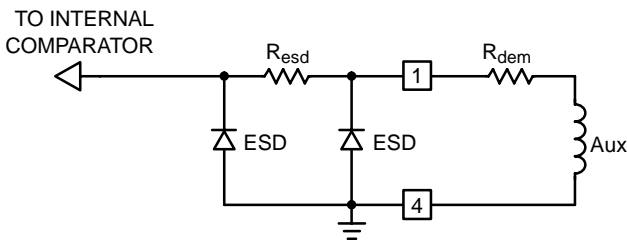
The core reset detection is done by monitoring the voltage activity on the auxiliary winding. This voltage features a FLYBACK polarity. The typical detection level is fixed at 50 mV as exemplified by Figure 17.



**Figure 17. Core Reset Detection is Done through a Dedicated Auxiliary Winding Monitoring**

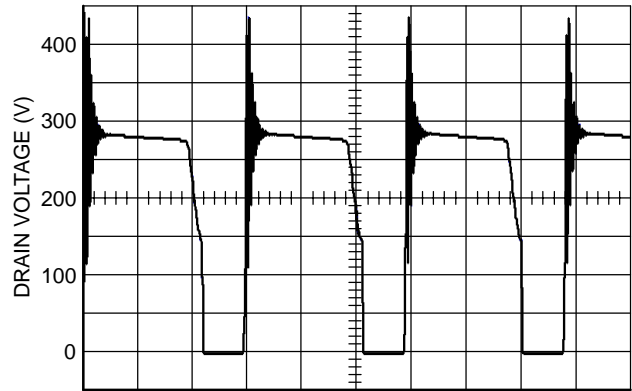
An internal timer prevents any restart within 10  $\mu$ s further to the driver going-low transition. This prevents the switching frequency to exceed  $(1/(T_{ON} + 10 \mu s))$  but also avoid false leakage inductance tripping at turn-off. In some cases, the leakage inductance kick is so energetic, that a slight filtering is necessary.

The NCP1308 demagnetization detection pad features a specific component arrangement as detailed by Figure 18. In this picture, the Zener diodes network protect the IC against any potential ESD discharge that could appear on the pins. The first ESD diode connected to the pad, exhibits a parasitic capacitance (10 pF typically) is combined with  $R_{dem}$ , a restart delay is created and the possibility to switch right in the drain-source wave exists. This guarantees QR operation with all the associated benefits (low EMI, no turn-on losses etc.).  $R_{dem}$  should be calculated to limit the maximum current flowing through Pin 1 to less than +3 mA / -2 mA: if during turn-on, the auxiliary winding delivers -30 V (at the highest line level), then the minimum  $R_{dem}$  value is defined by:  $(-30 + 0.7)$ . This value will be further increased to introduce a restart delay and also a slight filtering in case of high leakage energy.



**Figure 18. Internal Pad Implementation**

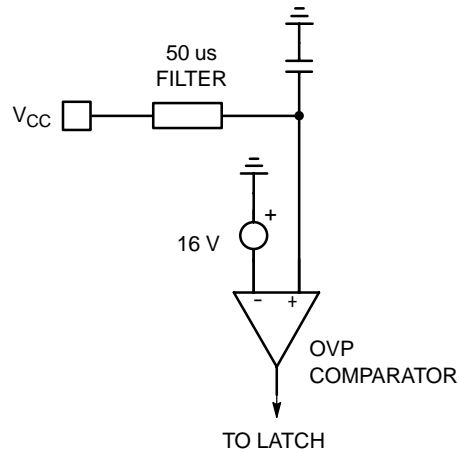
Figure 19 portrays a typical  $V_{ds}$  shot at nominal output power.



**Figure 19. The NCP1308 Operates in Borderline/Critical Operation**

**Overvoltage Protection**

The overvoltage works by monitoring the  $V_{CC}$  pin via a comparator and a reference voltage. Figure 20 portrays the internal arrangement:

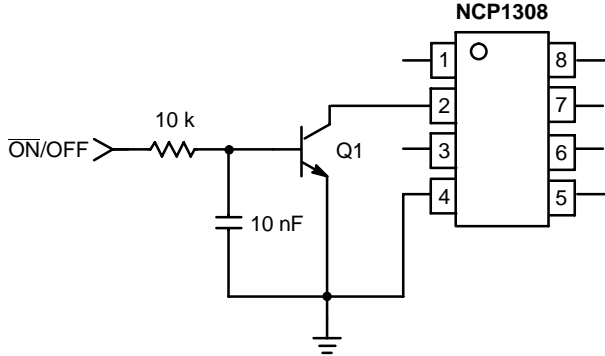


**Figure 20. OVP Section Circuitry**

A 50  $\mu$ s time-constant filter prevents any parasitic spikes superimposed on the  $V_{CC}$  to adversely trigger the OVP comparator. When the OVP comparator output goes high, the NCP1308 fully latches off and stays latched, being self-supplied by the DSS. The user must unplug the power supply and wait that the  $V_{CC}$  comes down below a reset voltage of typically 4 V.

**Shutting off the NCP1308**

Shutdown can easily be implemented through a simple NPN bipolar transistor as depicted by Figure 21. When OFF, Q1 is transparent to the operation. When forward biased, the transistor pulls the FB pin to ground ( $V_{CEsat} \approx 200\text{ mV}$ ) and permanently disables the IC. A small time constant on the transistor base will avoid false triggering



**Figure 21. A Simple Bipolar Transistor Totally Disables the IC**

**Power Dissipation**

The SOIC package offers a  $178^{\circ}\text{C/W}$  thermal resistor. Again, adding some copper area around the PCB footprint will help decreasing this number: 12 mm x 12 mm to drop  $R_{\theta JA}$  down to  $100^{\circ}\text{C/W}$  with 35  $\mu\text{m}$  copper thickness (1 oz) or 6.5 mm x 6.5 mm with 70  $\mu\text{m}$  copper thickness (2 oz). As one can see, the designer must be cautious when using the SO-8 package to check if its thermal performance is compatible with the total power dissipation. The power dissipation is simply  $V_{bulk}$  (high line) x  $I_{DSS,AVG}$ . The  $I_{DSS,AVG}$  parameter can be measured by inserting an amp-meter in series with the HV pin and compute its average value.

We therefore recommend the insertion of a resistor from the bulk connection to the HV pin. This will help to:

1. Avoid negative spikes at turn-off on the HV pin (see below)
2. Split the power budget between this resistor and the package. The resistor is calculated by leaving at least 50 V on pin 8 at minimum input voltage (suppose 100 Vdc in our case):

$$R_{drop} \leq \frac{V_{bulkmin} - 50\text{ V}}{7.0\text{ mA}} < 7.1\text{ k}\Omega .$$

The power dissipated by the resistor is thus:

$$\begin{aligned} P_{drop} &= \frac{V_{dropRMS}^2}{R_{drop}} \\ &= \frac{(I_{DSS} \cdot R_{drop} \cdot \sqrt{DSS_{duty-cycle}})^2}{R_{drop}} \\ &= \frac{(7.0\text{ mA} \cdot 7.1\text{ k}\Omega \cdot \sqrt{0.286})^2}{7.1\text{ k}\Omega} \\ &= 99.5\text{ mW} \end{aligned}$$

where  $I_{DSS}$  is the peak DSS capability,  $DSS_{duty-cycle}$  is the duty-cycle of the DSS, that is to say, the time it is *on* and the time it stays *off* ( $DSS_{duty-cycle} = \text{on}/(\text{on} + \text{off})$ ).

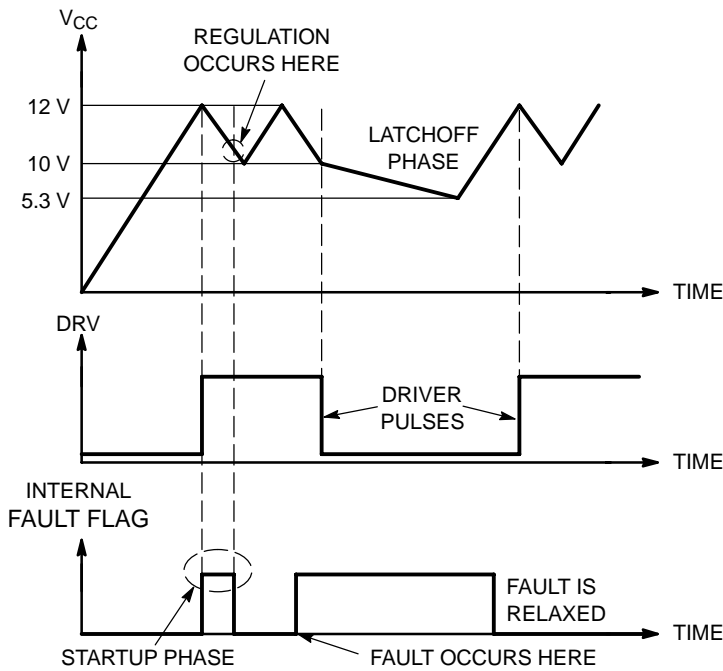
Please refer to the application note AND8069/D available at [www.onsemi.com/pub/ncp1200](http://www.onsemi.com/pub/ncp1200).

If the power consumption budget is really too high for the DSS alone, connect a diode between the auxiliary winding and the  $V_{CC}$  pin which will disable the DSS operation ( $V_{CC} > 10\text{ V}$ ).

**Overload Operation**

In applications where the output current is purposely not controlled (e.g. wall adapters delivering raw DC level), it is interesting to implement a true short-circuit protection. A short-circuit actually forces the output voltage to be at a low level, preventing a bias current to circulate in the optocoupler LED. As a result, the FB pin level is pulled up to 4.2 V, as internally imposed by the IC. The peak current setpoint goes to the maximum and the supply delivers a rather high power with all the associated effects. Please note that this can also happen in case of feedback loss, e.g. a broken optocoupler. To account for this situation, NCP1308 hosts a dedicated overload detection circuitry. Once activated, this circuitry imposes to deliver pulses in a burst manner with a low duty-cycle. The system recovers when the fault condition disappears.

During the startup phase, the peak current is pushed to the maximum until the output voltage reaches its target and the feedback loop takes over. This period of time depends on normal output load conditions and the maximum peak current allowed by the system. The timeout used by this IC works with the  $V_{CC}$  decoupling capacitor: as soon as the  $V_{CC}$  decreases from the  $V_{CCOFF}$  level (typically 12 V) the device internally watches for an overload current situation. If this condition is still present when the  $V_{CCON}$  level is reached, the controller stops the driving pulses, prevents the self-supply current source to restart and puts all the circuitry in standby, consuming as little as 330  $\mu\text{A}$  typical (ICC3 parameter). As a result, the  $V_{CC}$  level slowly discharges toward 0. When this level crosses 5.3 V typical, the controller enters a new startup phase by turning the current source on:  $V_{CC}$  rises toward 12 V and again delivers output pulses at the  $V_{CCOFF}$  crossing point. If the fault condition has been removed before  $V_{CCON}$  approaches, then the IC continues its normal operation. Otherwise, a new fault cycle takes place. Figure 22 on the following page shows the evolution of the signals in presence of a fault.



If the fault is relaxed during the V<sub>CC</sub> natural fall down sequence, the IC automatically resumes. If the fault still persists when V<sub>CC</sub> reached V<sub>CCON</sub>, then the controller cuts everything off until recovery.

Figure 22.

**Soft-Start**

The NCP1308 features an internal 1ms soft-start to soften the constraints occurring in the power supply during startup. It is activated during the power on sequence. As soon as V<sub>CC</sub> reaches V<sub>CCOFF</sub>, the peak current is gradually increased from nearly zero up to the maximum clamping level (e.g. 1.0 V). The soft-start is also activated during the over current burst (OCP) sequence. Every restart attempt is followed by a soft-start activation. Generally speaking, the soft-start will be activated when V<sub>CC</sub> ramps up either from zero (fresh power-on sequence) or 5.3 V, the latchoff voltage occurring during OCP.

**Calculating the V<sub>CC</sub> Capacitor**

As the above section describes, the fall down sequence depends upon the V<sub>CC</sub> level: how long does it take for the V<sub>CC</sub> line to go from 12 V to 10 V? The required time depends on the startup sequence of your system, i.e. when you first apply the power to the IC. The corresponding transient fault duration due to the output capacitor charging

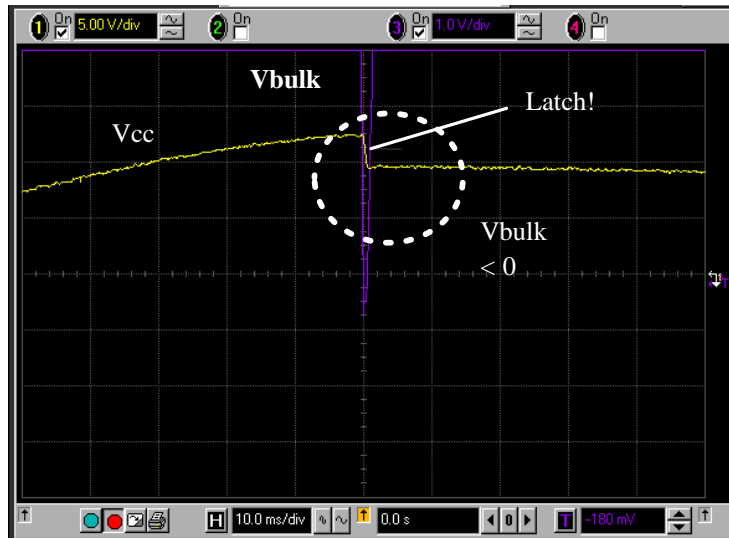
must be less than the time needed to discharge from 12 V to 10 V, otherwise the supply will not properly start. The test consists in either simulating or measuring in the lab how much time the system takes to reach the regulation at full load. Let's suppose that this time corresponds to 6ms. Therefore a V<sub>CC</sub> fall time of 10 ms could be well appropriated in order to not trigger the overload detection circuitry. If the corresponding IC consumption, including the MOSFET drive, establishes at 1.6 mA (e.g. with a 10 nC Q<sub>g</sub>), we can calculate the required capacitor using the following formula:  $\Delta t = \frac{\Delta V \cdot C}{i}$ , with  $\Delta V = 2$  V. Then for a wanted  $\Delta t$  of 10 ms, C equals 9  $\mu$ F or 22  $\mu$ F for a standard value. When an overload condition occurs, the IC blocks its internal circuitry and its consumption drops to 330  $\mu$ A typical. This happens at V<sub>CC</sub> = 10 V and it remains stuck until V<sub>CC</sub> reaches 5.3 V: we are in latchoff phase. Again, using the calculated 22  $\mu$ F and 330  $\mu$ A current consumption, this latchoff phase lasts: 313 ms.

## NCP1308

### Protecting Pin 8 Against Negative Spikes

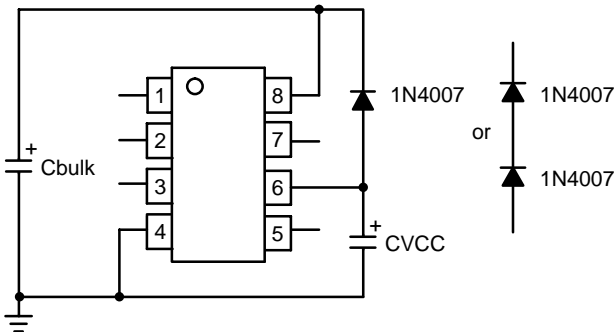
As any CMOS controller, NCP1308 is sensitive to negative voltages that could appear on its pins (Figure 23). To avoid any adverse latchup of the IC, we strongly recommend to insert a resistor in series with pin 8. This

resistor prevents from adversely latching the controller in case of negative spikes appearing on the bulk capacitor during the power-off sequence. Please refer to the power dissipation section of this data sheet to see how to calculate this element.



**Figure 23. A negative spike can occur at mains switch-off if the quality coefficient of C<sub>bulk</sub>-L<sub>p</sub> is high enough.**

Another option consists in adding a diode (or two in series for safety) from the V<sub>CC</sub> to the bulk capacitor. Figure 12 details this other option:



**Figure 24. A diode will force the V<sub>CC</sub> to decrease at the same pace the bulk capacitor does, avoiding a negative ringing on the HV pin.**

# NCP1308

## Operation Shots

Below are some oscilloscope shots captured at  $V_{in} = 120$  VDC with a transformer featuring a  $800 \mu\text{H}$  primary inductance:

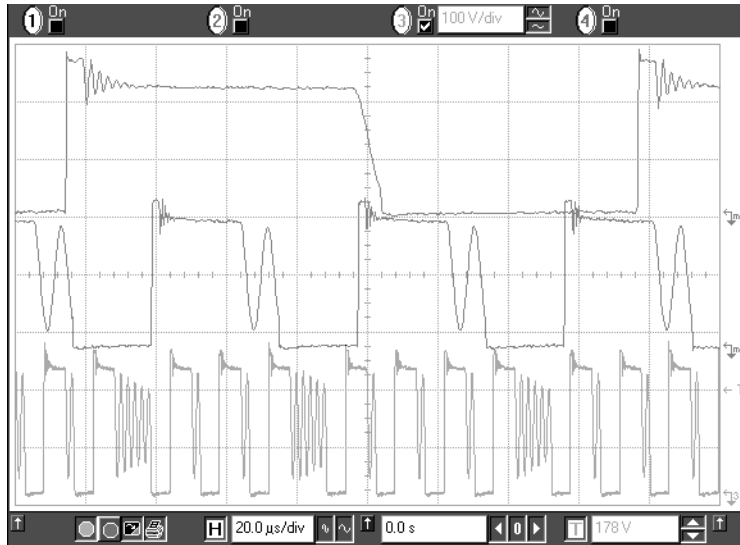


Figure 25. This plot gathers waveforms captured at three different operating points:

1<sup>st</sup> Upper Plot: Free run, valley switching operation,  $P_{out} = 26$  W.

2<sup>nd</sup> Middle Plot: Min Toff clamps the switching frequency and selects the second valley.

3<sup>rd</sup> Lowest Plot: The skip slices the second valley pattern and will further expand the burst as  $P_{out}$  goes low.

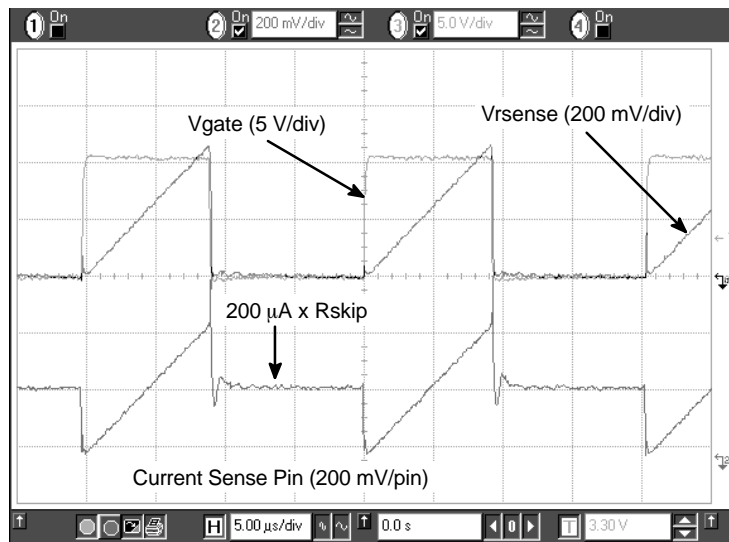


Figure 26. This picture explains how the  $200 \mu\text{A}$  internal offset current creates the skip cycle level.

NCP1308

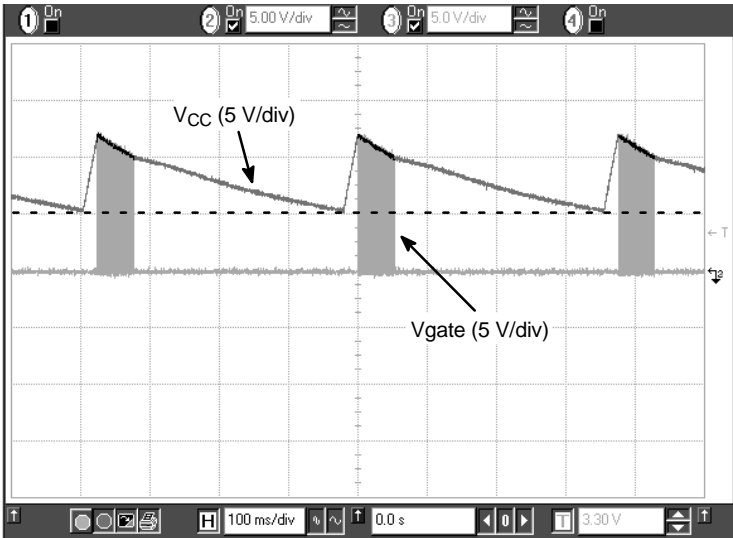
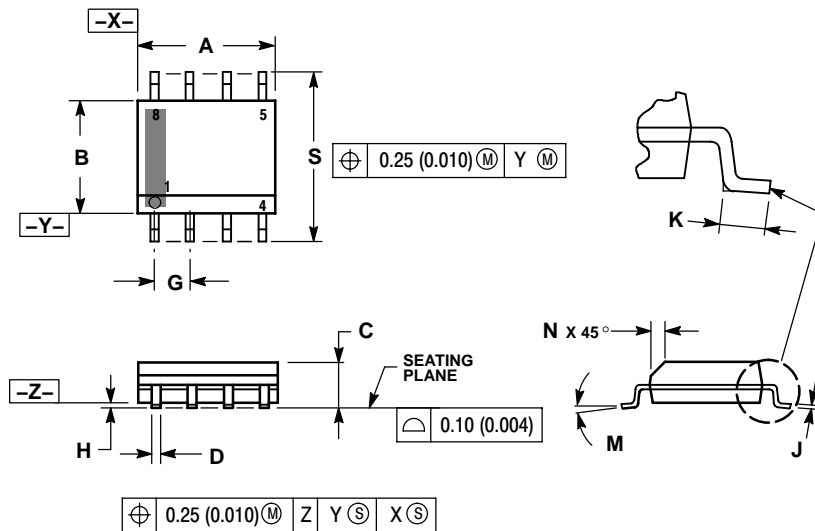


Figure 27. The short-circuit protection forces the IC to enter burst in presence of a secondary overload.

# NCP1308

## PACKAGE DIMENSIONS

SOIC-8  
DR SUFFIX  
CASE 751-07  
ISSUE AG

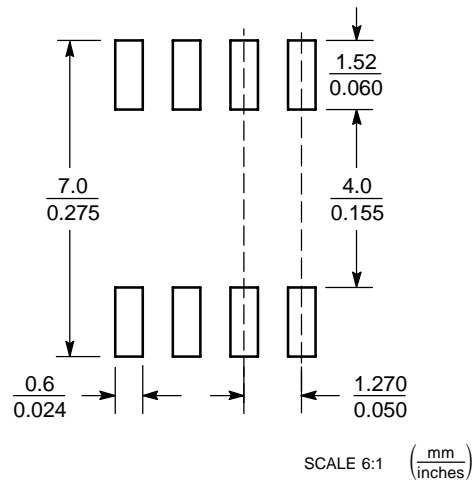


### NOTES:

1. DIMENSIONING AND TOLERANCING PER ANSI Y14.5M, 1982.
2. CONTROLLING DIMENSION: MILLIMETER.
3. DIMENSION A AND B DO NOT INCLUDE MOLD PROTRUSION.
4. MAXIMUM MOLD PROTRUSION 0.15 (0.006) PER SIDE.
5. DIMENSION D DOES NOT INCLUDE DAMBAR PROTRUSION. ALLOWABLE DAMBAR PROTRUSION SHALL BE 0.127 (0.005) TOTAL IN EXCESS OF THE D DIMENSION AT MAXIMUM MATERIAL CONDITION.
6. 751-01 THRU 751-06 ARE OBSOLETE. NEW STANDARD IS 751-07.

DIM	MILLIMETERS		INCHES	
	MIN	MAX	MIN	MAX
A	4.80	5.00	0.189	0.197
B	3.80	4.00	0.150	0.157
C	1.35	1.75	0.053	0.069
D	0.33	0.51	0.013	0.020
G	1.27 BSC		0.050 BSC	
H	0.10	0.25	0.004	0.010
J	0.19	0.25	0.007	0.010
K	0.40	1.27	0.016	0.050
M	0°	8°	0°	8°
N	0.25	0.50	0.010	0.020
S	5.80	6.20	0.228	0.244

### SOLDERING FOOTPRINT\*



\*For additional information on our Pb-Free strategy and soldering details, please download the ON Semiconductor Soldering and Mounting Techniques Reference Manual, SOLDERRM/D.

ON Semiconductor and are registered trademarks of Semiconductor Components Industries, LLC (SCILLC). SCILLC reserves the right to make changes without further notice to any products herein. SCILLC makes no warranty, representation or guarantee regarding the suitability of its products for any particular purpose, nor does SCILLC assume any liability arising out of the application or use of any product or circuit, and specifically disclaims any and all liability, including without limitation special, consequential or incidental damages. "Typical" parameters which may be provided in SCILLC data sheets and/or specifications can and do vary in different applications and actual performance may vary over time. All operating parameters, including "Typicals" must be validated for each customer application by customer's technical experts. SCILLC does not convey any license under its patent rights nor the rights of others. SCILLC products are not designed, intended, or authorized for use as components in systems intended for surgical implant into the body, or other applications intended to support or sustain life, or for any other application in which the failure of the SCILLC product could create a situation where personal injury or death may occur. Should Buyer purchase or use SCILLC products for any such unintended or unauthorized application, Buyer shall indemnify and hold SCILLC and its officers, employees, subsidiaries, affiliates, and distributors harmless against all claims, costs, damages, and expenses, and reasonable attorney fees arising out of, directly or indirectly, any claim of personal injury or death associated with such unintended or unauthorized use, even if such claim alleges that SCILLC was negligent regarding the design or manufacture of the part. SCILLC is an Equal Opportunity/Affirmative Action Employer. This literature is subject to all applicable copyright laws and is not for resale in any manner.

### PUBLICATION ORDERING INFORMATION

**LITERATURE FULFILLMENT:**  
Literature Distribution Center for ON Semiconductor  
P.O. Box 61312, Phoenix, Arizona 85082-1312 USA  
**Phone:** 480-829-7710 or 800-344-3860 Toll Free USA/Canada  
**Fax:** 480-829-7709 or 800-344-3867 Toll Free USA/Canada  
**Email:** orderlit@onsemi.com

**N. American Technical Support:** 800-282-9855 Toll Free  
USA/Canada

**Japan:** ON Semiconductor, Japan Customer Focus Center  
2-9-1 Kamimeguro, Meguro-ku, Tokyo, Japan 153-0051  
**Phone:** 81-3-5773-3850

**ON Semiconductor Website:** <http://onsemi.com>

**Order Literature:** <http://www.onsemi.com/litorder>

For additional information, please contact your local Sales Representative.