

MODEL 2600 SERIES

7/8" Diameter

Analog

Turns Counting Dial



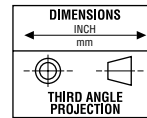
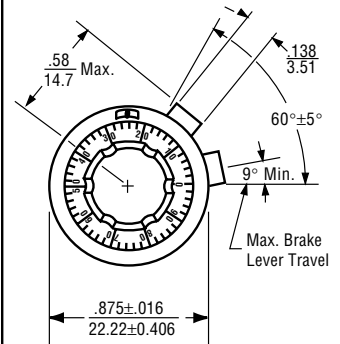
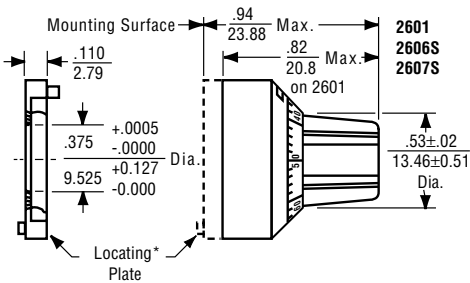
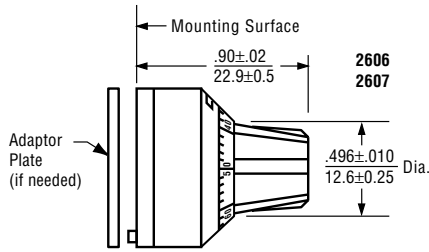
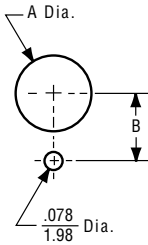
MODEL	2606	2607	2601
Counting Capacity, Maximum Turns	20		15
For Shaft Diameter	1/4"		1/8"
For Bushing Diameter	3/8"		1/4"
Depth: Maximum, From Face of Panel	0.900"		0.82"
Shaft Extension:	Maximum, From Face of Panel	0.781	0.672"
	Minimum, From Face of Panel	0.628"	0.469"
Bushing Extension: Maximum, From Face of Panel	0.300"		0.270"
Locking Mechanism	Positive Action with Detent		Positive Action
Weight, Nominal	0.60 oz.		
Number of Set Screws	1	2	1
Numeral Height	0.050"		
Knob Material	Black Plastic		
Dial Finish	Black Numerals on Satin Chrome		
Housing Finish	Satin Chrome		
Operating Temperature Range	-55°C to +71°C		

	2606S	2607S
Counting Capacity, Maximum Turns	15	
For Shaft Diameter	1/4"	
For Bushing Diameter	3/8"	
Depth: Maximum, From Face of Panel	0.94"	
Shaft Extension:	Maximum, From Face of Panel	0.781"
	Minimum, From Face of Panel	0.578"
Bushing Extension: Maximum, From Face of Panel	0.300"	
Locking Mechanism	Positive Action	
Weight, Nominal	0.60 oz.	
Number of Set Screws	1	2
Numeral Height	0.050"	
Knob Material	Black Plastic	
Dial Finish	Black Numerals on Satin Chrome	
Housing Finish	Satin Chrome	
Operating Temperature Range	-55°C to +71°C	

OUTLINE DIMENSIONS (Inch/mm)

**Nominal
Panel Hole Dimensions**

Model	Dim. A	Dim. B
2601	$\frac{.281}{7.14}$	$\frac{.281}{7.14}$
2606,2607, 2606S&2607S	$\frac{.406}{10.3}$	$\frac{.375}{9.53}$



Specifications subject to change without notice.