

Model P232
24mm Rotary Potentiometer
Sealed/ Dust Proof
Long Life Element
2 Million Cycle Life
Metal Shaft/ Bushing
RoHS Compliant



MODEL STYLE

Side Adjust , Solder Lugs

P232

ELECTRICAL¹

Resistance Range, Ohms	1K-100K
Standard Resistance Tolerance	± 10%
Residual Resistance	3 ohms max.
Input Voltage, Maximum	200 Vdc max.
Power rating, Watts	0.5W- B taper, 0.3W- others
Dielectric Strength	500Vac, 1 minute
Insulation Resistance, Minimum	100M ohms at 1,000Vdc/ 1 minute
Peak Noise (Contact Resistance Variation) @ 6 rpm	±3% max.
Linearity	±3% max.
Actual Electrical Travel, Nominal	280°

MECHANICAL

Total Mechanical Travel	300°± 5°
Static Stop Strength	120 oz-in
Rotational Torque, Maximum	1.5 oz-in

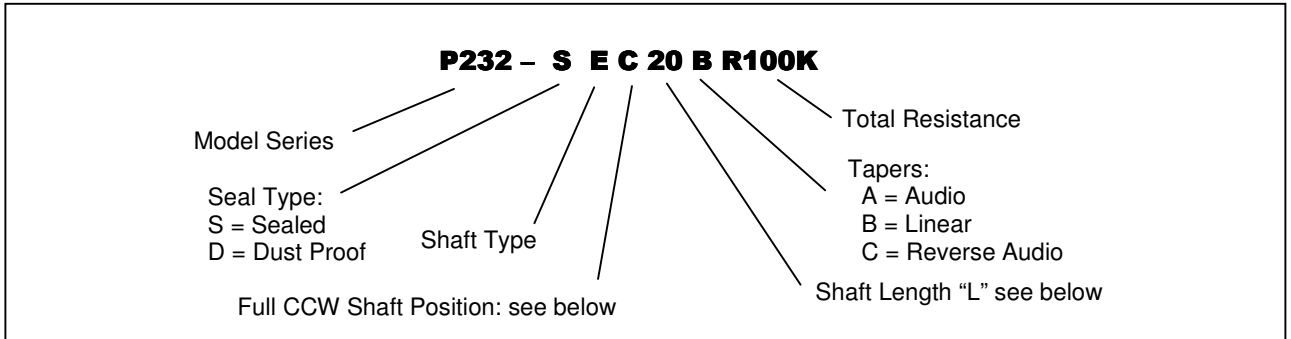
ENVIRONMENTAL

Operating Temperature Range	-10°C to +85°C
Rotational Life	2,000,000 cycles

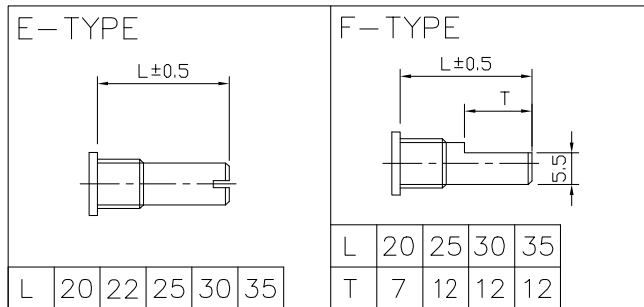
¹ Specifications subject to change without notice.

Model P232

ORDERING INFORMATION²

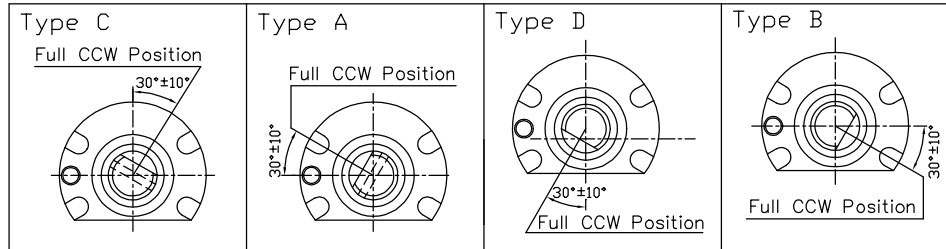


Shaft Types



Shaft Position (F-Type Shaft)

Dashed lines on Type "C" and Type "A" shows position of adjustment slot for E-Type shaft



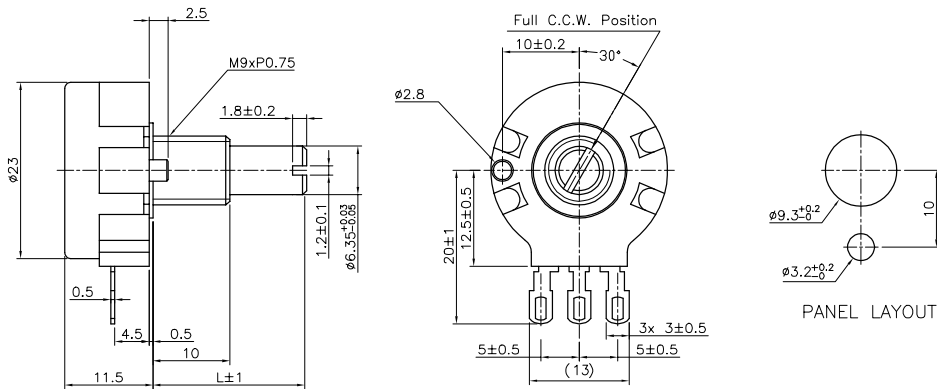
STANDARD RESISTANCE VALUES, OHMS

1K 2K 5K 10K 20K 50K 100K

² Contact our customer service for custom designs and features.

Model P232

OUTLINE DRAWING



CIRCUIT DIAGRAM

