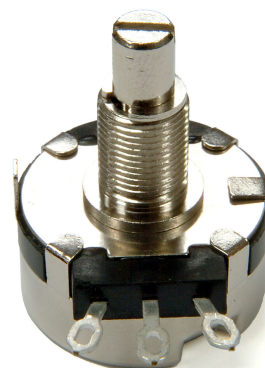


Model P270
27mm Rotary Potentiometer
Long Life - 1 Million cycles
Conductive Plastic Element
Heavy Duty Applications
Sealed Unit Available
RoHS Compliant



MODEL STYLES

Panel, Solder Lugs	P270
Panel, Solder Lugs, with Center Tap	P271

ELECTRICAL¹

Resistance Range, Ohms	1K-1M Ω
Standard Resistance Tolerance	$\pm 10\%$
Residual Resistance	6 Ω max.
Input Voltage, maximum	500 Vdc not to exceed power rating
Power rating, Watts	2 Watts @ 70°C
Dielectric Strength	1000VAC, 1 minute
Insulation Resistance, Minimum	50M ohms at 500Vdc
Sliding Noise	100mV max.
Actual Electrical Travel, Nominal	300°
Electrical Continuity, Nominal	312°

MECHANICAL

Total Mechanical Travel	312° $\pm 5^\circ$
Static Stop Strength	20 oz-in
Rotational Torque, Maximum	Dust Proof : 2.0.oz-in max. Sealed : 2.0 - 3.5 oz-in
Panel Nut Tightening Torque	25 lb-in

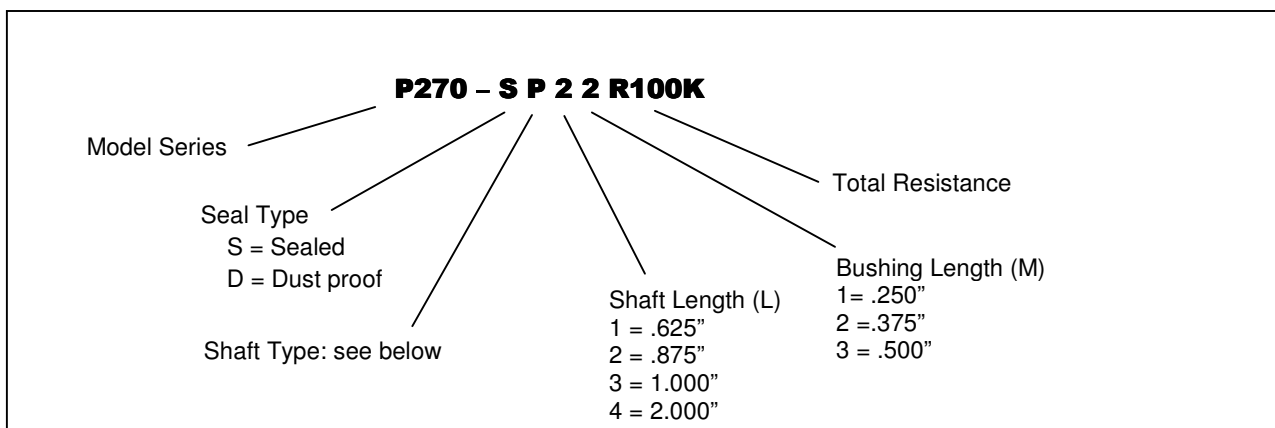
ENVIRONMENTAL

Operating Temperature Range	-55°C to +120°C
Rotational Load Life	1M Cycles (10% ΔR)

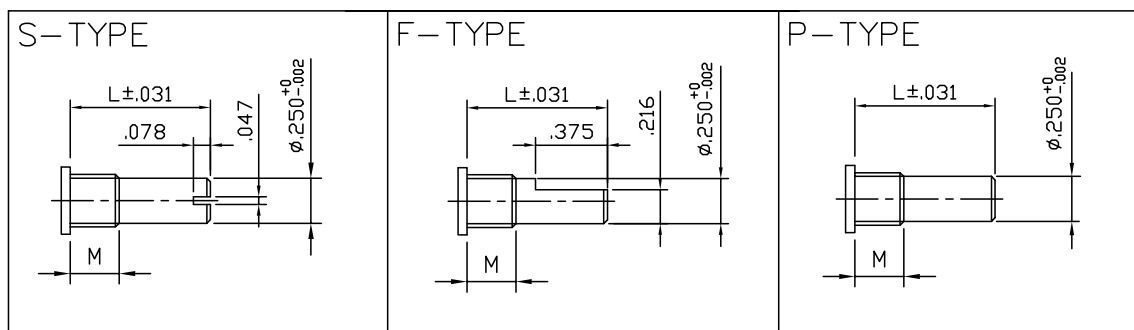
¹ Specifications subject to change without notice.

Model P270

ORDERING INFORMATION²



Shaft Types

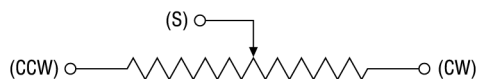


STANDARD RESISTANCE VALUES, OHMS

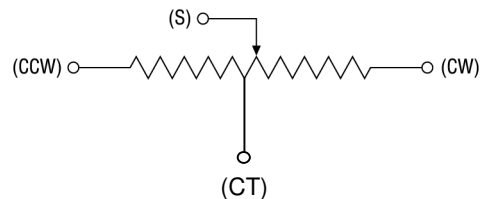
1K 2K 5K 10K 20K 50K 100K 200K 500K 1MEG

CIRCUIT DIAGRAM

P270 (without Center Tap)



P271 (with Voltage Center Tap)

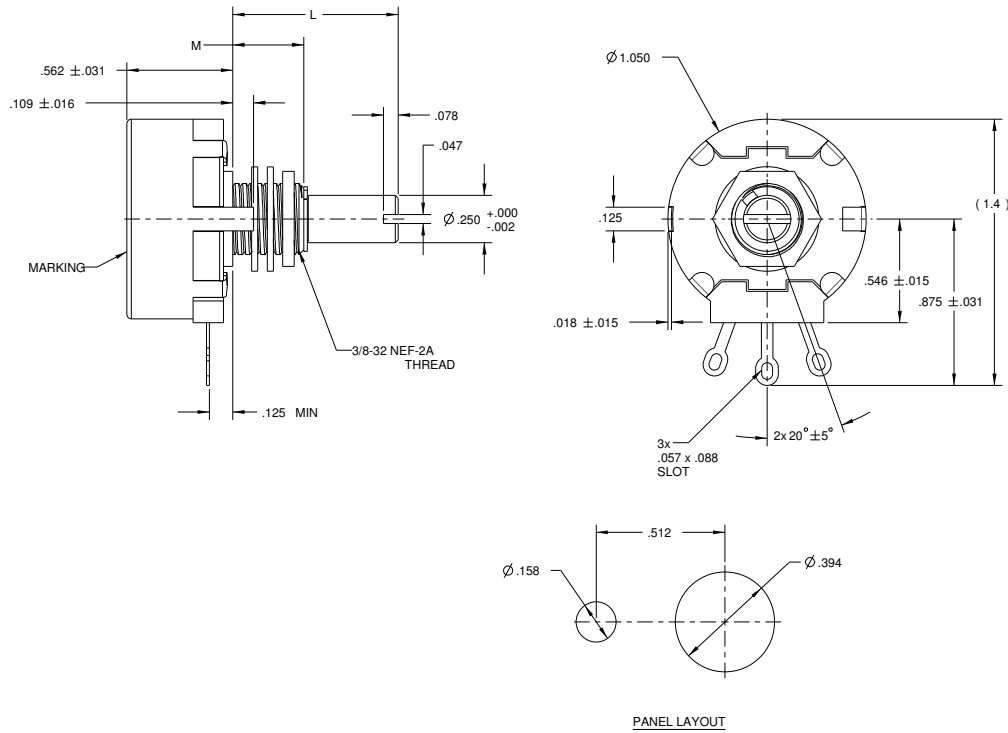


² Contact our customer service for custom designs and features.

Model P270

OUTLINE DRAWING

Model 270



Model 271 (Center Tap)

