

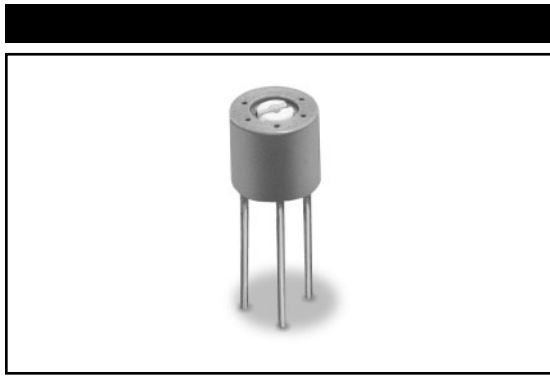
MODEL 24

4mm Diameter

Single Turn

Cermet Trimming

Potentiometer



1

ELECTRICAL

Standard Resistance Range, Ohms	10 to 1Meg
Standard Resistance Tolerance	±20% (±10% available)
Input Voltage, Maximum	200 Vdc or rms not to exceed power rating
Power Rating, Watts	0.5 at 70°C derating to 0 at 125°C
End Resistance, Maximum	1% or 3 Ohms, whichever is greater
Actual Electrical Travel, Nominal	190°
Dielectric Strength	500Vrms
Insulation Resistance, Minimum	1,000 Megohms
Resolution	Essentially infinite
Contact Resistance Variation, Maximum	2% or 3 Ohms, whichever is greater

ENVIRONMENTAL

Seal	85°C Fluorinert®
Temperature Coefficient, Maximum	±100ppm/°C (<200 ohms = ±250ppm/°C)
Operating Temperature Range	-55°C to +125°C
Thermal Shock	5 cycles, -55°C to +125°C (2% ΔRT, 2% ΔVR)
Moisture Resistance	Ten 24 hour cycles (3% ΔRT)
Shock, 6ms Sawtooth	100G's (2% ΔRT, 1% ΔVR)
Vibration	20G's, 10 to 2,000 Hz (1% ΔRT, 1% ΔVR)
High Temperature Exposure	250 hours at 125°C (2% ΔRT, 1% ΔVR)
Rotational Life	200 cycles (5% ΔRT)
Load Life at 0.5 Watts	1,000 hours at 70°C (3% ΔRT)
Resistance to Solder Heat	350°C for 3 sec. (1% ΔRT)

MECHANICAL

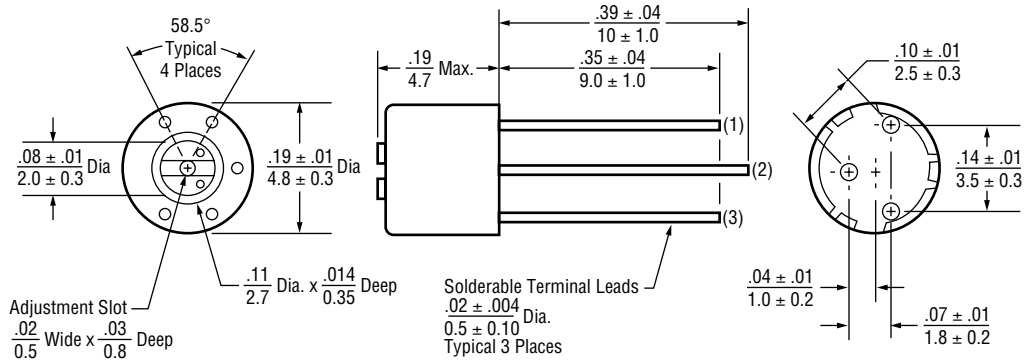
Mechanical Stops	Solid
Stop Strength, Minimum	3 oz.-in. (200 gr-cm)
Torque, Maximum	2 oz.-in. (150 gr-cm)
Weight, Nominal	.01 oz.(0.3 grams)

Fluorinert® is a registered trademark of 3M Company.
 Specifications subject to change without notice.



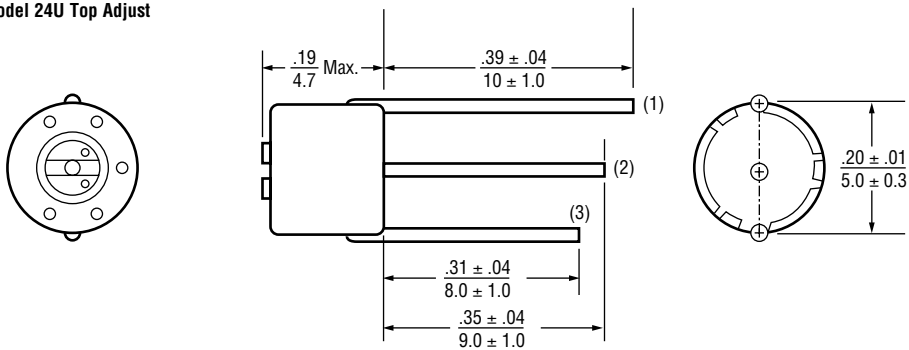
OUTLINE DIMENSIONS (Inch/mm)

Model 24W Top Adjust

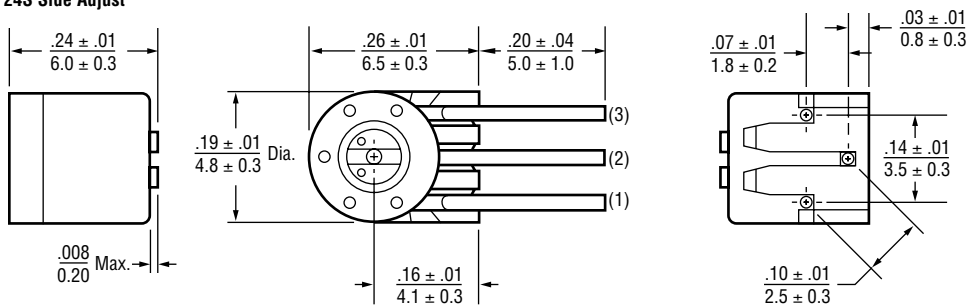


Note: Model 24W dimensions applicable to all other models except as noted.

Model 24U Top Adjust



Model 24S Side Adjust



STANDARD RESISTANCE VALUES, OHMS

100	1K	10K	100K	1Meg
200	2K	20K	200K	2Meg
500	5K	50K	500K	

1

PACKAGING

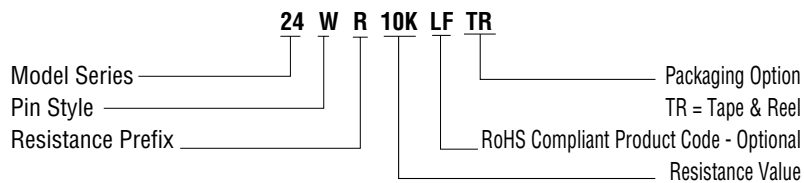
Standard: Boxes
Capacity = 100 Units

Option: Tape & Reel (24U only)
All units oriented with #3 pin toward direction of feed.

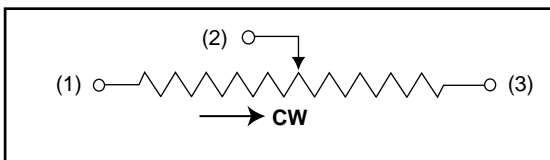
	Seat Plane to Centerline of Sprocket Hole	=	.71" (18 mm)
Tape	Width	=	18 mm
	Sprocket	=	Single Hole .50" spacing
	Capacity	=	1,000 Units
Reel	Diameter	=	14" (363 mm)

ORDERING INFORMATION

Standard:



CIRCUIT DIAGRAM



NOTES

English equivalents are based on 1 inch = 25.4mm and are provided for general information only.

Tolerances unless otherwise specified:
Linear = ± 0.3 mm (.01 in.)

