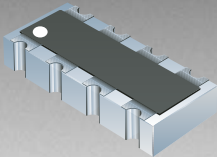


*RoHS COMPLIANT



BOURNS®

Features

- HIGH PERFORMANCE TERMINATION NETWORK
- Miniaturized circuitry and packaging for space reduction
- Designed for gigabit communication networks
- Controlled impedance
- RoHS compliant*

CAT16-LV2F6 - Concave Chip Array

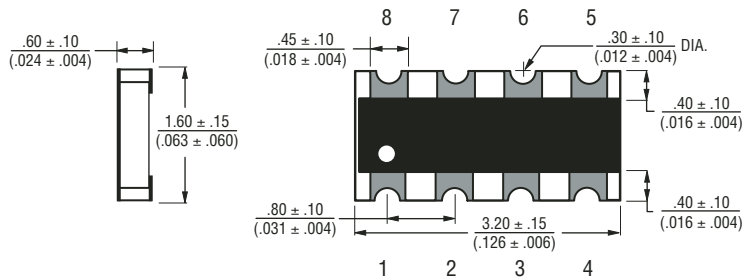
Electrical Characteristics

Resistance

R1	165 ohms
R2	140 ohms
TCR	±200 ppm/°C
Temperature Range	-55 °C to +125 °C
Max. Operating Voltage5 VDC
Max. Power Resistance0625 W
Solderability	>95 % Coverage

For Standard Values Used in Capacitors, Inductors, and Resistors, [click here](#).

Product Dimensions

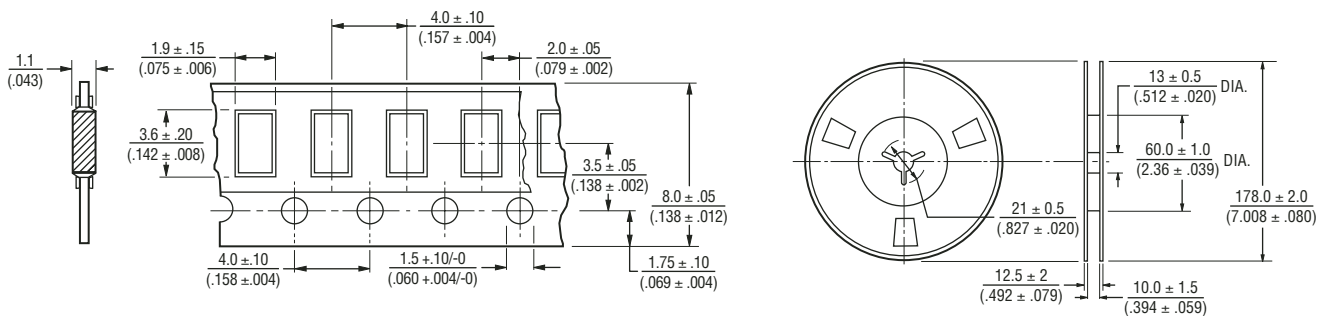


DIMENSIONS ARE: $\frac{\text{MM}}{\text{(INCHES)}}$

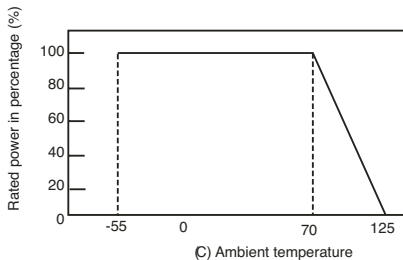


Packaging Specifications

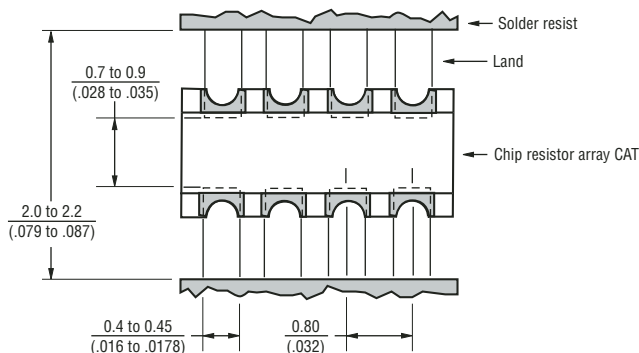
5000 pcs - per 7" reel



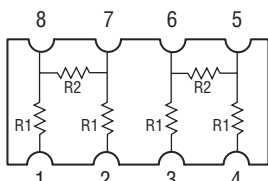
Derating Curve



Land Pattern



Schematic



REV. 05/06

*RoHS Directive 2002/95/EC Jan 27 2003 including Annex. Specifications are subject to change without notice. Customers should verify actual device performance in their specific applications.