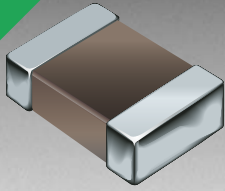


\*RoHS COMPLIANT



**BOURNS®**

**Features**

- 1812 size
- Magnetic shielding
- High Q characteristics
- High current
- Lead Free

**Applications**

- Prevention of electromagnetic interference to signals on the secondary side of electronic equipment

**CF453215 Series - Ferrite Multi-Layer High Current Chip Inductors**

**Electrical Specifications**

Bourns Part No.	Inductance		Q	Test Freq.	SRF MHz	DCR	I rms
	μH	Tol. %	min.	L,Q MHz	min.	Ω max.	mA max.
CF453215-R10K	0.10	±10	35	25.2	300	0.18	800
CF453215-R12K	0.12	±10	35	25.2	280	0.20	770
CF453215-R15K	0.15	±10	35	25.2	250	0.22	730
CF453215-R18K	0.18	±10	35	25.2	220	0.24	700
CF453215-R22K	0.22	±10	40	25.2	200	0.25	665
CF453215-R27K	0.27	±10	40	25.2	180	0.26	635
CF453215-R33K	0.33	±10	40	25.2	165	0.28	605
CF453215-R39K	0.39	±10	40	25.2	150	0.30	575
CF453215-R47K	0.47	±10	40	25.2	145	0.32	545
CF453215-R56K	0.56	±10	40	25.2	140	0.36	520
CF453215-R68K	0.68	±10	40	25.2	135	0.40	500
CF453215-R82K	0.82	±10	40	25.2	130	0.45	475
CF453215-1R0K	1.0	±10	50	7.96	100	0.50	450
CF453215-1R2K	1.2	±10	50	7.96	80	0.55	430
CF453215-1R5K	1.5	±10	50	7.96	70	0.60	410
CF453215-1R8K	1.8	±10	50	7.96	60	0.65	390
CF453215-2R2K	2.2	±10	50	7.96	55	0.70	380
CF453215-2R7K	2.7	±10	50	7.96	50	0.75	370
CF453215-3R3K	3.3	±10	50	7.96	45	0.80	355
CF453215-3R9K	3.9	±10	50	7.96	40	0.90	330
CF453215-4R7K	4.7	±10	50	7.96	35	1.00	315
CF453215-5R6K	5.6	±10	50	7.96	33	1.10	300
CF453215-6R8K	6.8	±10	50	7.96	27	1.20	285
CF453215-8R2K	8.2	±10	50	7.96	25	1.40	270
CF453215-100K	10.0	±10	50	2.52	20	1.60	250
CF453215-120K	12.0	±10	50	2.52	18	2.00	225
CF453215-150K	15.0	±10	50	2.52	17	2.50	200
CF453215-180K	18.0	±10	50	2.52	15	2.80	190
CF453215-220K	22.0	±10	50	2.52	13	3.20	180
CF453215-270K	27.0	±10	50	2.52	12	3.60	170
CF453215-330K	33.0	±10	50	2.52	11	4.00	160

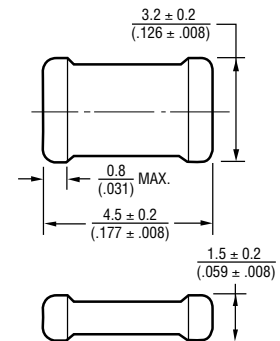
**General Specifications**

Temperature Rise .....40 °C max. at rated current  
 Operating Temperature .....-55 °C to +125 °C  
 Storage Temperature...-55 °C to +125 °C  
 Reflow Soldering ...230 °C, 50 sec. max.  
 Resistance to Soldering Heat .....260 °C, 5 seconds

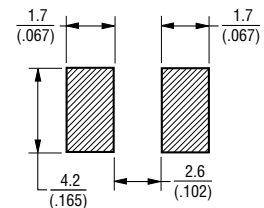
**Materials**

Base Material .....Ferrite  
 Terminal .....Pd/Pt/Ag/Ni/Sn  
 Packaging.....1,000 pcs. per reel

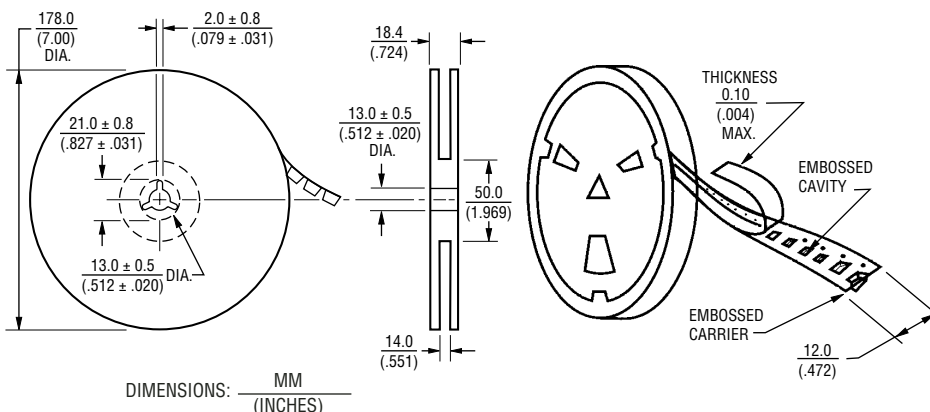
**Product Dimensions**



**Recommended Layout**



**Packaging Specifications**



DIMENSIONS:  $\frac{\text{MM}}{\text{(INCHES)}}$

REV. 05/05

\*RoHS Directive 2002/95/EC Jan 27 2003 including Annex Specifications are subject to change without notice. Customers should verify actual device performance in their specific applications.