



Features

- Carbon element
- Metal housing
- 15-60 mm travel
- Single and dual gang
- Center detent option
- Dust cover option
- RoHS compliant*

Applications

- Audio/TV sets
- Car radio
- Amplifiers/mixers/drum machines/synthesizers
- PCs/monitors
- Appliances

PTA Series - Low Profile Slide Potentiometer

Electrical Characteristics

TaperLinear, audio
 Standard Resistance Range
1 K ohms to 1 M ohms
 Standard Resistance Tolerance±20 %
 Residual Resistance
500 ohms or 1 % max.
 Insulation Resistance
Min. 100 megohms at 250 V DC

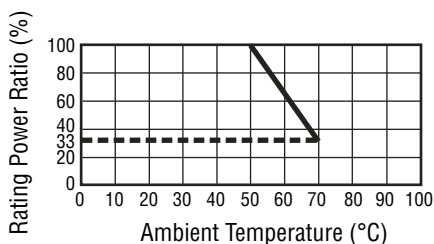
Environmental Characteristics

Operating Temperature
-10 °C to +50 °C
 Power Rating, Linear
 15 mm0.05 W (0.025 W Dual Gang)
 20 mm0.1 W (0.05 W)
 30 mm0.2 W (0.1 W)
 45 mm0.25 W (0.125 W)
 60 mm0.25 W (0.125 W)
 Power Rating, Audio
 15 mm ..0.025 W (0.015 W Dual Gang)
 20 mm0.05 W (0.025 W)
 30 mm0.1 W (0.05 W)
 45 mm0.125 W (0.06 W)
 60 mm0.125 W (0.06 W)
 Maximum Operating Voltage, Linear
 15 mm100 V DC
 20-60 mm.....200 V DC
 Maximum Operating Voltage, Audio
 15 mm50 V DC
 20-60 mm.....150 V DC
 Withstand Voltage, Audio
1 Min. at 300 V AC
 Sliding Noise100 mV maximum
 Tracking Error.....3 dB at -40 to 0 dB

Mechanical Characteristics

Operating Force30 to 250 g-cm
 Stop Strength.....5 kg-cm min.
 Sliding Life15,000 cycles
 Soldering Condition
300 °C max. within 3 seconds
 Travel15, 20, 30, 45, 60 mm

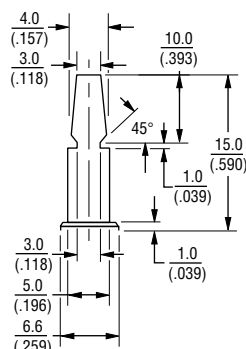
Derating Curve



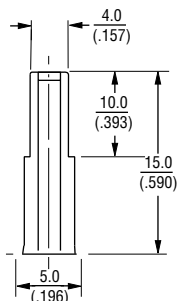
Lever Style & Product Dimensions

Actuator Styles

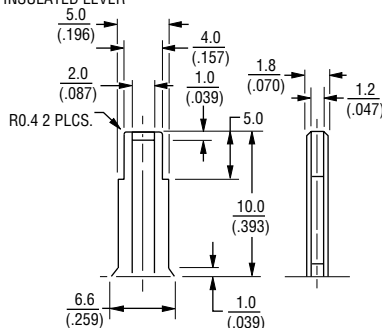
DP METAL LEVER



CP METAL LEVER



CI INSULATED LEVER



DIMENSIONS ARE: $\frac{\text{MM}}{\text{(INCHES)}}$

How To Order

PTA 15 4 3 - 2 0 10 DP B 203

Model _____

Stroke Length _____

- 15 = 15 mm
- 20 = 20 mm
- 30 = 30 mm
- 45 = 45 mm
- 60 = 60 mm

Dust Cover Option _____

- 4 = No Dust Cover
- 5 = Rubber Dust Cover

No. of Gangs _____

- 3 = Single Gang
- 4 = Dual Gang

Pin Style _____

- 2 = PC Pins Down Facing

Center Detent Option _____

- 0 = No Detent
- 2 = Center Detent

Standard Lever Length _____

(See Table)

- 10 = 10 mm (CI Lever)
- 15 = 15 mm (DP, CP and CI)

Lever Style _____

- DP = Metal Lever (Refer to Drawing)
- CP = Metal Lever (Refer to Drawing)
- CI = Insulated Lever (Refer to Drawing)

Resistance Taper _____

- A = Audio Taper
- B = Linear Taper

Resistance Code (See Table) _____

Other styles available _____

Standard Resistance Table

| Resistance (Ohms) | Resistance Code |
|-------------------|-----------------|
| 1,000 | 102 |
| 2,000 | 202 |
| 5,000 | 502 |
| 10,000 | 103 |
| 20,000 | 203 |
| 50,000 | 503 |
| 100,000 | 104 |
| 200,000 | 204 |
| 500,000 | 504 |
| 1,000,000 | 105 |

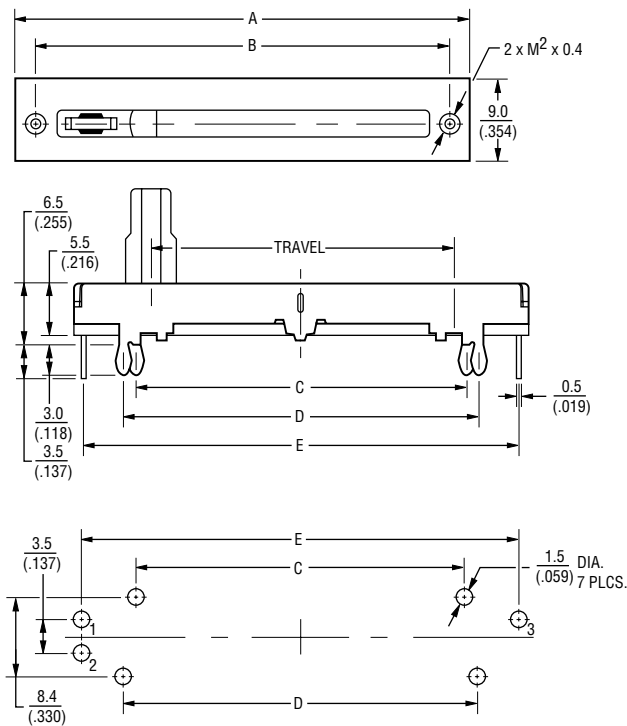
*RoHS Directive 2002/95/EC Jan 27 2003 including Annex. Specifications are subject to change without notice. Customers should verify actual device performance in their specific applications.

PTA Series - Low Profile Slide Potentiometer

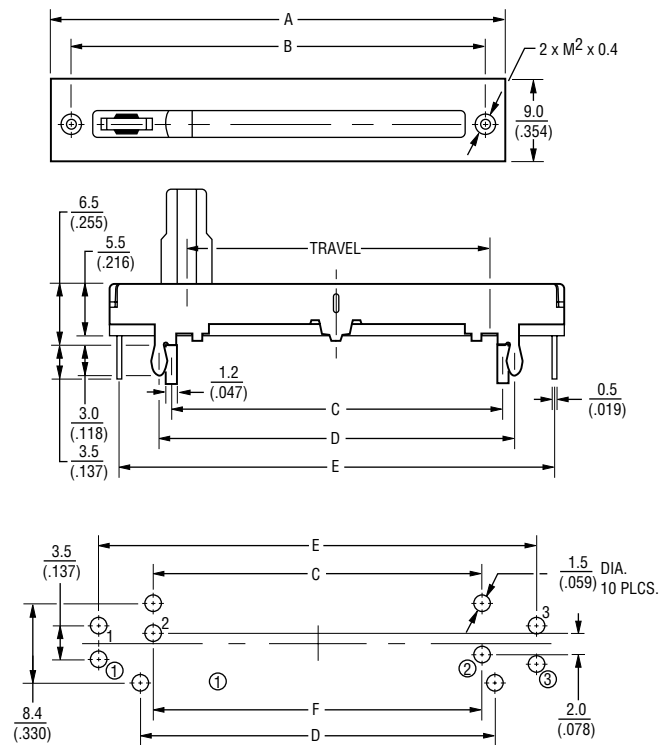
BOURNS®

Product Dimensions

PTAxx43



PTAxx44



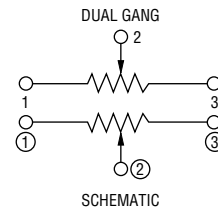
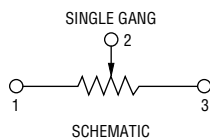
DIMENSIONS: $\frac{\text{MM}}{(\text{IN.})}$

Single Gang Dimensions

| Model | A | B | C | D | E | Travel |
|---------|--------|--------|--------|--------|--------|--------|
| PTA1543 | 30 | 26 | 17.8 | 20.2 | 28.5 | 15 mm |
| | (3.18) | (1.02) | (.700) | (.795) | (1.12) | (.59) |
| PTA2043 | 35 | 31 | 22.8 | 25.2 | 33.5 | 20 mm |
| | (1.37) | (1.22) | (.897) | (.992) | (1.31) | (.787) |
| PTA3043 | 45 | 41 | 32.8 | 35.2 | 43.5 | 30 mm |
| | (1.77) | (1.61) | (1.29) | (1.38) | (1.71) | (1.18) |
| PTA4543 | 60 | 56 | 47.8 | 50.2 | 58.5 | 45 mm |
| | (2.36) | (2.20) | (1.88) | (1.97) | (2.30) | (1.77) |
| PTA6043 | 75 | 71 | 62.8 | 65.2 | 73.5 | 60 mm |
| | (2.95) | (2.79) | (2.47) | (2.56) | (2.89) | (2.36) |

Dual Gang Dimensions

| Model | A | B | C | D | E | F | Travel |
|---------|--------|--------|--------|--------|--------|--------|--------|
| PTA1544 | 30 | 26 | 17.8 | 20.2 | 28.5 | 18 | 15 mm |
| | (3.18) | (1.02) | (.700) | (.795) | (1.12) | (.708) | (.59) |
| PTA2044 | 35 | 31 | 22.8 | 25.2 | 33.5 | 23 | 20 mm |
| | (1.37) | (1.22) | (.897) | (.992) | (1.31) | (.905) | (.787) |
| PTA3044 | 45 | 41 | 32.8 | 35.2 | 43.5 | 33 | 30 mm |
| | (1.77) | (1.61) | (1.29) | (1.38) | (1.71) | (1.29) | (1.18) |
| PTA4544 | 60 | 56 | 47.8 | 50.2 | 58.5 | 48 | 45 mm |
| | (2.36) | (2.20) | (1.88) | (1.97) | (2.30) | (1.88) | (1.77) |
| PTA6044 | 75 | 71 | 62.8 | 65.2 | 73.5 | 63 | 60 mm |
| | (2.95) | (2.79) | (2.47) | (2.56) | (2.89) | (2.48) | (2.36) |



REV. 03/06

Specifications are subject to change without notice.
Customers should verify actual device performance in their specific applications.