

Features

- Recommended for reflow processing
- Rotor design compatible with pick and place and automatic adjustment equipment
- 3 mm size meets EIA/EIAJ standard trimmer footprint

- RoHS compliant* - see processing information on lead free surface mount trimmers

TC33 - 3 mm SMD Trimming Potentiometer

Electrical Characteristics

Standard Resistance Range100 ohms to 1 megohm (see standard resistance table)
 Resistance Tolerance±25 % std.
 Absolute Minimum Resistance ≤ 1 K Ohms20 ohms max.
 >1 K Ohms2 % max. of TR
 Contact Resistance Variation .5 % max.
 ResolutionEssentially infinite
 Adjustment Angle260 ° ±20 °

Environmental Characteristics

Power Rating (50 VDC max.)
 70 °C0.1 watt
 Temperature Range-40 °C to +120 °C
 Temperature Coefficient±250 ppm/°C
 Humidity95 %RH
 TRS max.±5 %
 Load Life@ 70 °C rated power 1000 hours
 TRS ±5 %
 Rotational Cycling20 cycles
 TRS ± 10 %

Physical Characteristics

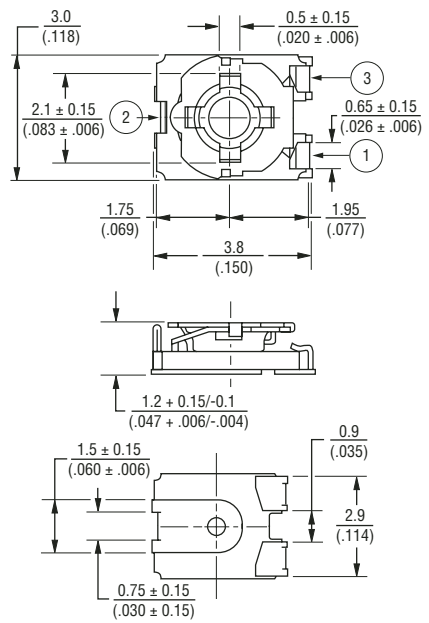
Torque0.98-11.76 mN-m max.
 Mechanical Angle270 ° ±20 °
 MarkingPart marking code
 Standard Packaging2500 pcs./7 " reel
 Adjustment ToolH-90

How To Order

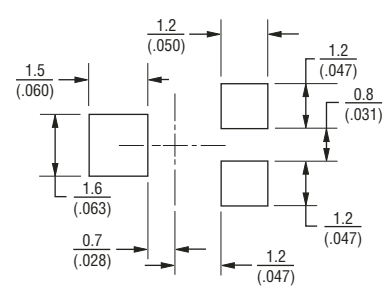
TC33 X - 2 - 103 E

Model _____
 Style _____
 Standard Product Indicator _____
 -2 = Cross Slot Rotor
 Resistance Code _____
 Embossed Tape Designator _____
 E = 2500 pcs./7 " Reel (Standard)
 G = 9000 pcs./13 " Reel

Product Dimensions



Recommended Land Pattern

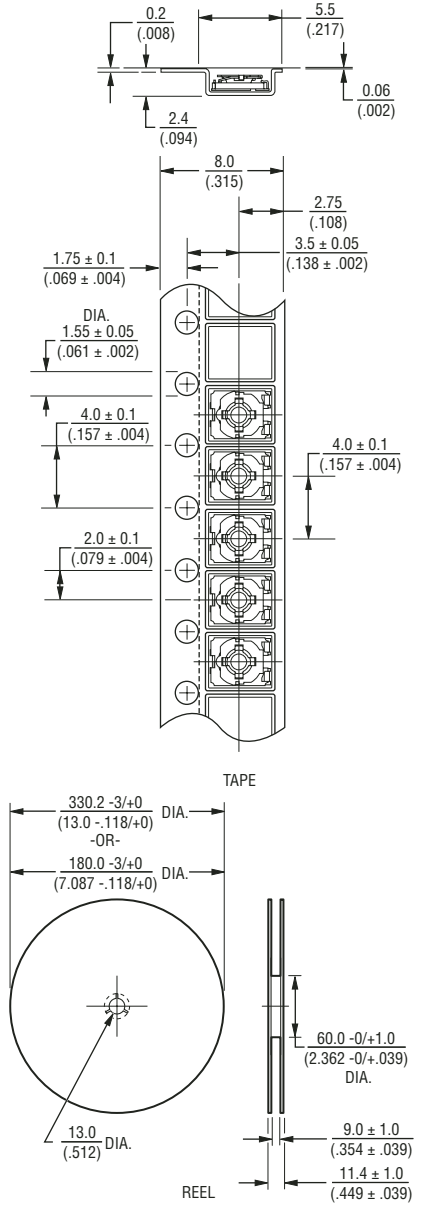


Standard Resistance Table

| Resistance (Ohms) | Resistance Code |
|-------------------|-----------------|
| 100 | 101 |
| 200 | 201 |
| 300 | 301 |
| 500 | 501 |
| 1,000 | 102 |
| 2,000 | 202 |
| 3,000 | 302 |
| 5,000 | 502 |
| 10,000 | 103 |
| 20,000 | 203 |
| 30,000 | 303 |
| 50,000 | 503 |
| 100,000 | 104 |
| 200,000 | 204 |
| 300,000 | 304 |
| 500,000 | 504 |
| 1,000,000 | 105 |

Popular distribution resistance values listed in boldface. Special resistances available.

Packaging Specifications



TOLERANCES: ± 0.3 (0.10) EXCEPT WHERE NOTED

DIMENSIONS: MM (INCHES)

REV. 04/06

*RoHS Directive 2002/95/EC Jan 27 2003 including Annex. Specifications are subject to change without notice. Customers should verify actual device performance in their specific applications.

