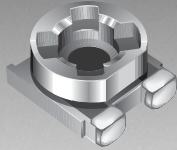


\*RoHS COMPLIANT



**BOURNS®**

**Features**

- Single-Turn Cermet / Open Frame
- Recommended for reflow processing
- Rotor design compatible with automatic adjustment equipment
- Supplied in 8 mm embossed tape, compatible with automatic assembly equipment
- 2 mm size meets EIA/EIAJ standard trimmer footprint
- RoHS compliant\* - see [processing information](#) on lead free surface mount trimmers

**3302 - 2 mm SMD Trimming Potentiometer**

**Electrical Characteristics**

Standard Resistance Range .....200 to 1 megohm  
 (see standard resistance table)  
 Resistance Tolerance .....±25 % std.  
 Absolute Minimum Resistance  
 ≤1K .....20 ohms max.  
 >1K .....5 % max.  
 Contact Resistance Variation  
 .....5 % max.  
 Resolution.....Infinite  
 Adjustment Angle.....260 ° ±20 °

**Environmental Characteristics**

Power Rating (50 VDC max.)  
 70 °C .....0.15 watt  
 Temperature Range  
 .....-40 °C to +85 °C  
 Temperature Coefficient  
 .....±250 ppm/°C  
 Humidity .....95 % RH  
 500 hours  
 TRS max. ....±5 %  
 Load Life  
 .....@ 70 °C rated power 500 hours  
 TRS ±5 %  
 Rotational Cycling.....10 turns  
 TRS ±15 %

**Physical Characteristics**

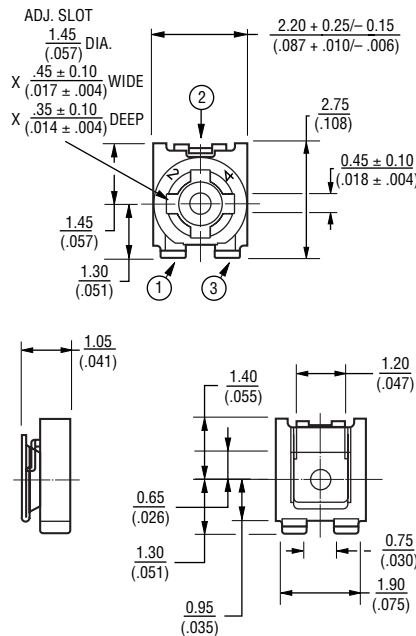
Torque.....10-150 g-cm max.  
 Mechanical Angle .....Continuous  
 Marking.....Part marking code  
 Standard Packaging ...2000 pcs./7 " reel  
 Adjustment Tool .....H-91

**How To Order**

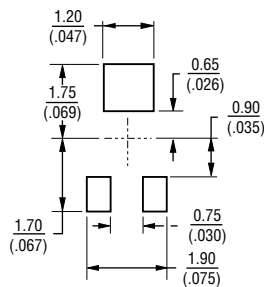
**3302 X - 3 - 103 E**

Model \_\_\_\_\_  
 Style \_\_\_\_\_  
 Orientation of Parts  
 In Tape:  
 Style W: Terminals Toward Sprocket Holes  
 Standard or Modified  
 Product Indicator \_\_\_\_\_  
 -3 = Continuous Rotation  
 Resistance Code \_\_\_\_\_  
 Embossed Tape Designator \_\_\_\_\_  
 Consult factory for other available options.

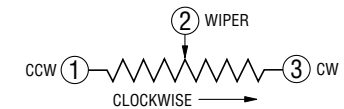
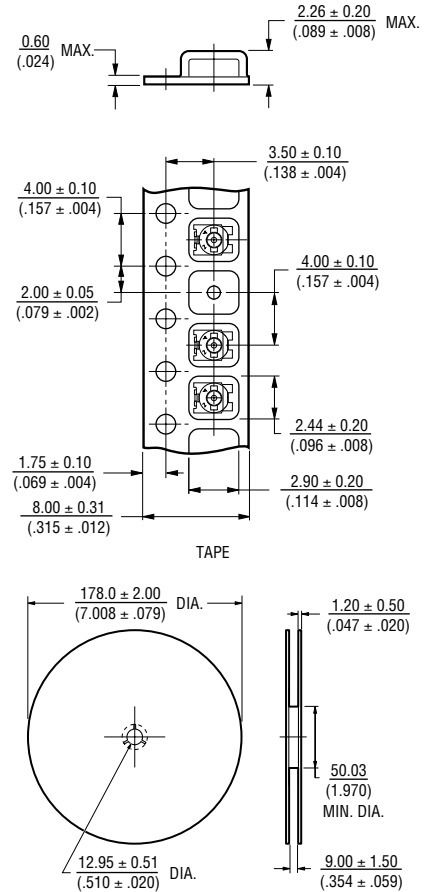
**3302W, X-3  
 3 Terminals for  
 Automatic Trimming Adjustment  
 Low Profile**



**SUGGESTED PWB LAYOUT**



**Packaging Specifications**



**Standard Resistance Table**

Resistance (Ohms)	Part Marking Code	Resistance Code
200	22	201
500	52	501
<b>1,000</b>	<b>13</b>	<b>102</b>
<b>2,000</b>	<b>23</b>	<b>202</b>
<b>5,000</b>	<b>53</b>	<b>502</b>
<b>10,000</b>	<b>14</b>	<b>103</b>
<b>20,000</b>	<b>24</b>	<b>203</b>
50,000	54	503
100,000	15	104
200,000	25	204
500,000	55	504
1,000,000	16	105

TOLERANCES: ± 0.25 (.010) EXCEPT WHERE NOTED

DIMENSIONS ARE:  $\frac{MM}{(INCHES)}$

Popular distribution resistance values listed in boldface. Special resistances available.

REV. 09/04

\*RoHS Directive 2002/95/EC Jan 27 2003 including Annex. Specifications are subject to change without notice. Customers should verify actual device performance in their specific applications.