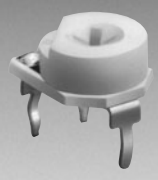


*RoHS COMPLIANT



BOURNS®

Features

- 9 mm Round / Single Turn / Carbon Commercial / Open Frame
- Both sides adjust
- Cross slot and hexagon adjustment designs
- Horizontal and vertical mounting styles
- Dust resistant/splash resistant covers
- PC board stand-offs and retention feature
- RoHS compliant*

3319 - 9 mm Round Trimming Potentiometer

Electrical Characteristics

Standard Resistance Range100 to 1 megohm
 (see standard resistance table)
 Resistance Tolerance±25 % std.
 End Resistance2 % max. (≤2K = 30 ohms)
 Contact Resistance Variation3 % max.
 Resolution.....Infinite
 Adjustment Angle235 ° nom.

Environmental Characteristics

Power Rating (200 volts max.)
 70 °C.....0.2 watt
 Temperature Range-25 °C to +100 °C
 Temperature Coefficient±1000 ppm/°C
 Load Life1,000 hours 0.2 watt @ 70 °C
 (<100K = +3/-7 % ΔTR)
 (≤100K = +3/-10 % ΔTR)

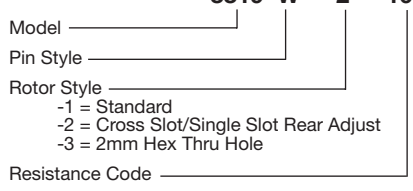
Physical Characteristics

Torque (Operating)5 oz-in. max.
 Stop Strength11.0 oz-in. min.
 TerminalsSolderable pins
 MarkingManufacturer's trademark, resistance code
 Standard Packaging200 pcs. per bag
 Adjustment ToolH-90

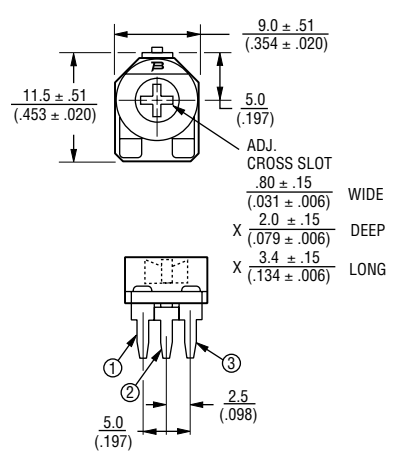
Aqueous cleaning not recommended

How To Order

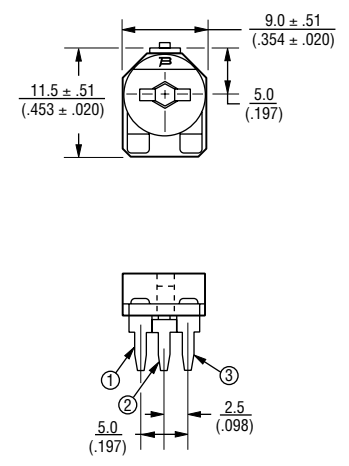
3319 W - 2 - 103



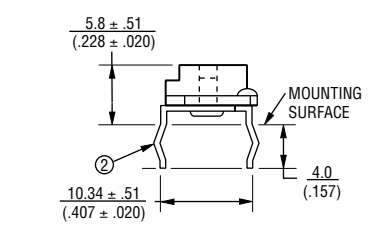
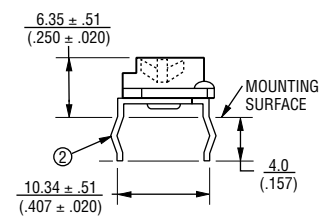
3319P Common Dimensions



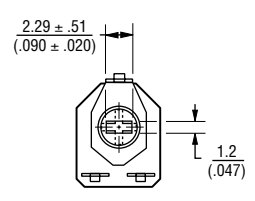
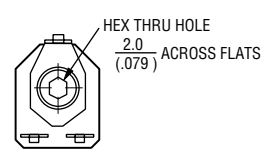
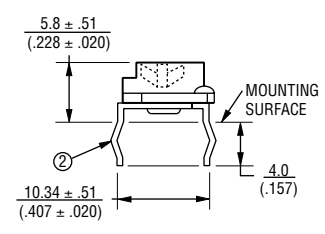
3319P-3 Both Sides Adjust/Hex



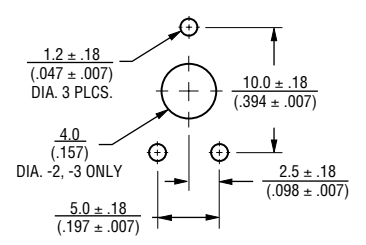
3319P-1 Top Adjust



3319P-2 Both Sides Adjust/Cross Slot



SUGGESTED PWB LAYOUT - 3319P



TOLERANCES: ± 0.25 (.010) EXCEPT WHERE NOTED

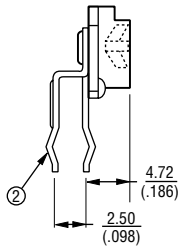
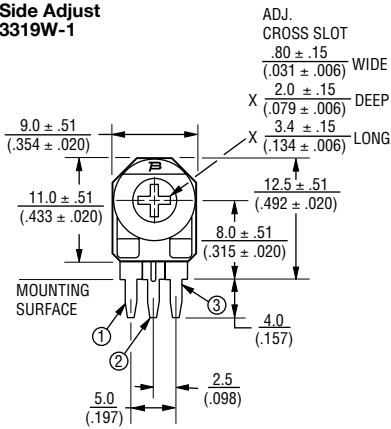
DIMENSIONS ARE: $\frac{\text{MM}}{\text{(INCHES)}}$

*RoHS Directive 2002/95/EC Jan 27 2003 including Annex. Specifications are subject to change without notice. Customers should verify actual device performance in their specific applications.

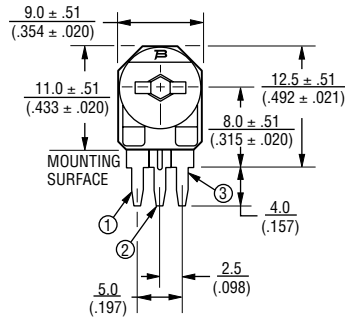
3319 - 9 mm Round Trimming Potentiometer

BOURNS®

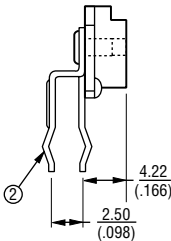
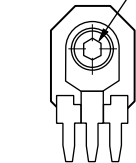
Side Adjust 3319W-1



3319W-3 Both Sides Adjust/Hex



HEX THRU HOLE $\frac{2.0}{(.079)}$ ACROSS FLATS

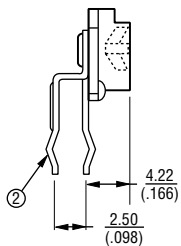
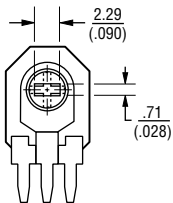


Standard Resistance Table

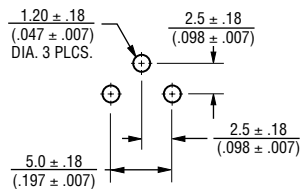
Resistance (Ohms)	Resistance Code
100	101
200	201
500	501
1,000	102
2,000	202
5,000	502
10,000	103
20,000	203
50,000	503
100,000	104
200,000	204
500,000	504
1,000,000	105

Popular distribution resistance values listed in boldface.

3319W-2 Both Sides Adjust /Cross Slot



SUGGESTED PWB LAYOUT - 3319W



TOLERANCES: ± 0.25 (.010) EXCEPT WHERE NOTED

DIMENSIONS ARE: $\frac{\text{MM}}{(\text{INCHES})}$

