



## DESCRIPTION

PT2314 is a four-channel input digital audio processor utilizing CMOS Technology. Volume, Bass, Treble and Balance are incorporated into a single chip. Loudness Function and Selectable Input Gain are also provided to build a highly effective electronic audio processor having the highest performance and reliability with the least external components. All functions are programmable using the I<sup>2</sup>C Bus. The pin assignments and application circuit are optimized for easy PCB layout and cost saving advantage for audio application.

## FEATURES

- CMOS technology
- Least external components
- Treble and bass control
- Loudness function
- 4 stereo inputs with selectable input gain
- Input/output for external noise reduction system/equalizer
- 2 independent speaker controls for balance control
- Independent mute function
- Volume control in 1.25 dB/step
- Low distortion
- Low noise and DC stepping
- Controlled by I<sup>2</sup>C bus micro-processor interface
- Available in 28 Pins, DIP or SOP

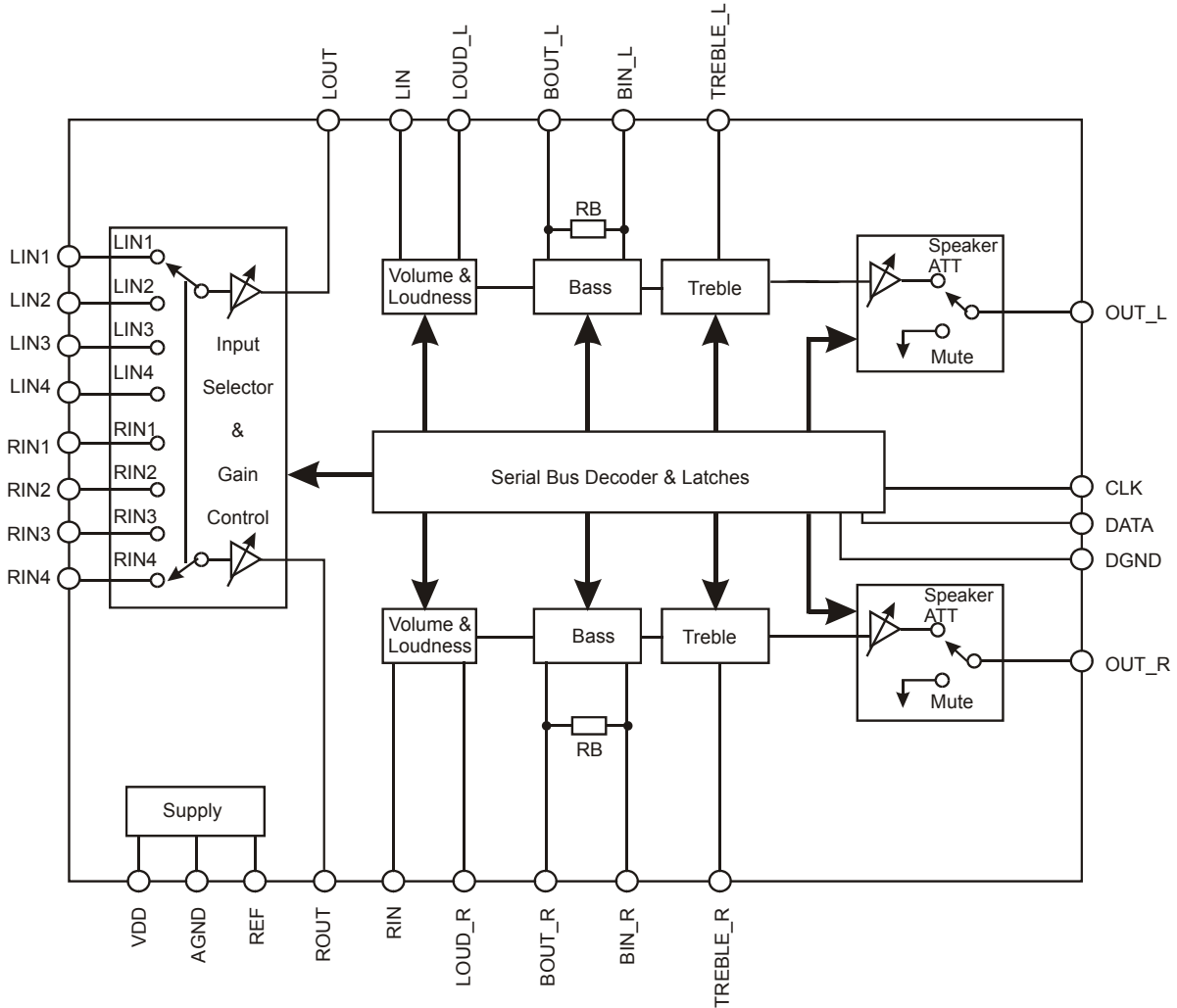
## APPLICATIONS

- Car stereo (Audio)
- Hi-Fi audio system

Note: Purchase of I<sup>2</sup>C Component of Princeton Technology Corporation (PTC) conveys a license under Philips I<sup>2</sup>C Patent Right to use these components in any I<sup>2</sup>C System, provided that the system conforms to the I<sup>2</sup>C Standard Specification defined by Philips

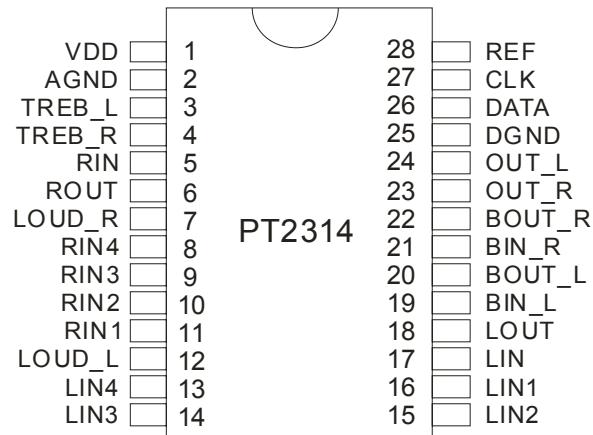


# BLOCK DIAGRAM





## PIN CONFIGURATION





## PIN DESCRIPTION

Pin Name	I/O	Description	Pin No.
VDD	-	Supply Input Voltage	1
AGND	-	Analog Ground	2
TREB_L	I	Left Channel Input for Treble Controller	3
TREB_R	I	Right Channel Input for Treble Control	4
RIN	I	Audio Processor Right Channel Input	5
ROUT	O	Gain Output and Input Selector for Right Channel	6
LOUD_R	I	Right Channel Loudness Input	7
RIN4	I	Right Channel Input 4	8
RIN3	I	Right Channel Input 3	9
RIN2	I	Right Channel Input 2	10
RIN1	I	Right Channel Input 1	11
LOUD_L	I	Left Channel Loudness Input	12
LIN4	I	Left Channel Input 4	13
LIN3	I	Left Channel Input 3	14
LIN2	I	Left Channel Input 2	15
LIN1	I	Left Channel Input 1	16
LIN	I	Audio Processor Left Channel Input	17
LOUT	O	Gain Output and Input Selector for Left Channel	18
BIN_L	I	Left Channel Input for Bass Controller	19
BOUT_L	O	Left Bass Controller Output Channel	20
BIN_R	I	Right Channel Input for Bass Controller	21
BOUT_R	O	Right Channel Output for Bass Controller	22
OUT_R	O	Right Speaker Output	23
OUT_L	O	Left Speaker Output	24
DGND	-	Digital Ground	25
DATA	I	Control Data Input	26
CLK	I	Clock Input for Serial Data Transmission	27
REF	-	Analog Reference Voltage (1/2 VDD)	28



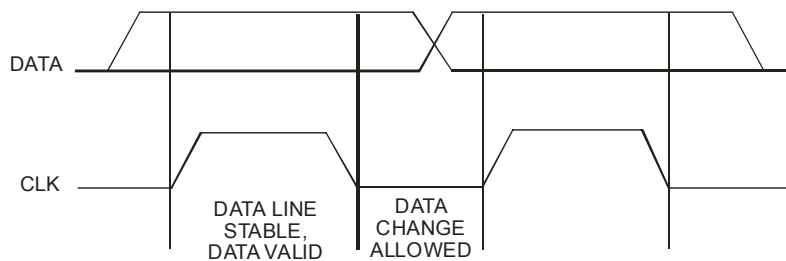
## FUNCTIONAL DESCRIPTION

### BUS INTERFACE

Data are transmitted to and from the microprocessor to the PT2314 via the DATA and CLK. The DATA and CLK make up the BUS Interface. It should be noted that the pull-up resistors must be connected to the positive supply voltage.

### DATA VALIDITY

A data on the DATA Line is considered valid and stable only when the CLK Signal is in HIGH State. The HIGH and LOW State of the DATA Line can only change when the CLK signal is LOW. Please refer to the figure below.



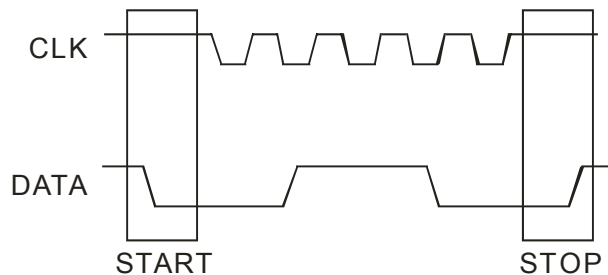
### START AND STOP CONDITIONS

A Start Condition is activated when

- 1) the CLK is set to HIGH and
- 2) DATA shifts from HIGH to LOW State.

The Stop Condition is activated when

- 1) CLK is set to HIGH and
- 2) DATA shifts from LOW to HIGH State. Please refer to the timing diagram below.



### BYTE FORMAT

Every byte transmitted to the DATA Line consist of 8 bits. Each byte must be followed by an Acknowledge Bit. The MSB is transmitted first.

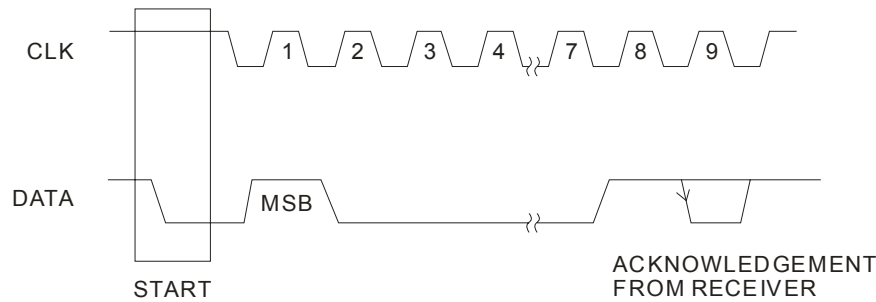


4-Channel Input Audio Processor

PT2314

**ACKNOWLEDGE**

During the Acknowledge Clock Pulse, the master ( $\mu$ P) puts a resistive HIGH level on the DATA Line. The peripheral (audio processor) that acknowledges has to pull-down (LOW) the DATA line during the Acknowledge Clock Pulse so that the DATA Line is in a Stable Low State during this Clock Pulse. Please refer to the diagram below.



The audio processor that has been addressed has to generate an acknowledge after receiving each byte, otherwise, the DATA Line will remain at the High Level during the ninth (9th) Clock Pulse. In this case, the master transmitter can generate the STOP Information in order to abort the transfer.

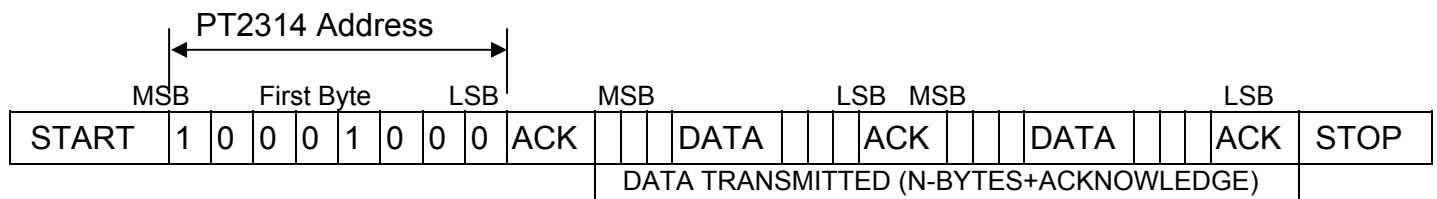
**TRANSMISSION WITHOUT ACKNOWLEDGE**

If you want to avoid the acknowledge detection of the audio processor, a simpler  $\mu$ P transmission may be used. Wait one clock and do not check the slave acknowledge of this same clock then send the new data. If you use this approach, there are greater chances of faulty operation as well as decrease in noise immunity.

**INTERFACE PROTOCOL**

The interface protocol consists of the following (see diagram below):

- A Start Condition
- A Chip Address Byte including the PT2314 address. The 8th Bit of the Byte must be "0". PT2314 must always acknowledge the end of each transmitted byte.
- A Data Sequence (N-Bytes + Acknowledge)
- A Stop Condition



Note:  
ACK = ACKNOWLEDGE  
MAX. CLOCK SPEED = 100KBITS/S



4-Channel Input Audio Processor

PT2314

**SOFTWARE SPECIFICATION**

**PT2314 ADDRESS**

PT2314 Address is shown below.

1 MSB	0	0	0	1	0	0	0	0 LSB
----------	---	---	---	---	---	---	---	----------

**DATA BYTES**

MSB							LSB	Function
0	0	B2	B1	B0	A2	A1	A0	Volume Control
1	1	0	B1	B0	A2	A1	A0	Speaker ATT L
1	1	1	B1	B0	A2	A1	A0	Speaker ATT R
0	1	0	G1	G0	S2	S1	S0	Audio Switch
0	1	1	0	C3	C2	C1	C0	Bass Control
0	1	1	1	C3	C2	C1	C0	Treble Control

where Ax = 1.25 dB steps; Bx = 10 dB steps; Cx = 2 dB steps; Gx = 3.75 dB/steps

**VOLUME**

The table below gives a detailed description of the Volume Data Bytes. For example, a volume of -37.5 dB is given by 0 0 0 1 1 1 1 0.

MSB							LSB	Function
0	0	B2	B1	B0	A2	A1	A0	Volume 1.25 dB steps
					0	0	0	0
					0	0	1	-1.25
					0	1	0	-2.5
					0	1	1	-3.75
					1	0	0	-5
					1	0	1	-6.25
					1	1	0	-7.5
					1	1	1	-8.75
0	0	B2	B1	B0	A2	A1	A0	Volume 10dB steps
		0	0	0				0
		0	0	1				-10
		0	1	0				-20
		0	1	1				-30
		1	0	0				-40
		1	0	1				-50
		1	1	0				-60
		1	1	1				-70



4-Channel Input Audio Processor

PT2314

**SPEAKER ATTENUATORS**

The table below gives a detailed description of the speaker attenuators data bytes. For example, an attenuation of 30dB on the Speaker R (Right) is given by: 1 1 1 1 1 0 0 0.

MSB							LSB	Function
1	1	0	B1	B0	A2	A1	A0	Speaker L
1	1	1	B1	B0	A2	A1	A0	Speaker R
					0	0	0	0
					0	0	1	-1.25
					0	1	0	-2.5
					0	1	1	-3.75
					1	0	0	-5
					1	0	1	-6.25
					1	1	0	-7.5
					1	1	1	-8.75
			0	0				0
			0	1				-10
			1	0				-20
			1	1				-30
			1	1	1	1	1	Mute

**AUDIO SWITCH DATA BYTE**

The following table shows the detailed description of the Audio Switch Data Bytes. For example, a Stereo 1 Input with Gain of +11.25 dB Loudness ON is given by: 0 1 0 0 0 0 0 0.

MSB							LSB	Function
0	1	0	G1	G0	S2	S1	S0	Audio Switch
						0	0	Stereo 1
						0	1	Stereo 2
						1	0	Stereo 3
						1	1	Stereo 4
					0			Loudness ON
					1			Loudness OFF
			0	0				+11.25dB
			0	1				+7.5dB
			1	0				+3.75dB
			1	1				0dB





4-Channel Input Audio Processor

PT2314

**BASS AND TREBLE DATA BYTES**

The following table shows a detailed description of the Bass and Treble Data Byte. For example a Treble at -12dB is given by: 0 1 1 1 0 0 0 1.

MSB							LSB	Function
0	1	1	0	C3	C2	C1	C0	Bass
0	1	1	1	C3	C2	C1	C0	Treble
				0	0	0	0	-14
				0	0	0	1	-12
				0	0	1	0	-10
				0	0	1	1	-8
				0	1	0	0	-6
				0	1	0	1	-4
				0	1	1	0	-2
				0	1	1	1	0
				1	1	1	1	0
				1	1	1	0	2
				1	1	0	1	4
				1	1	0	0	6
				1	0	1	1	8
				1	0	1	0	10
				1	0	0	1	12
				1	0	0	0	14

Unit: dB



## ABSOLUTE MAXIMUM RATINGS

Parameter	Symbol	Rating	Unit
Operating supply voltage	Vs	10.5	V
Operating temperature	Topr	-40 to +85	°C
Storage temperature	Tstg	-65 to +150	°C

## QUICK REFERENCE DATA

Parameter	Symbol	Min.	Typ.	Max.	Unit
Supply voltage	Vs	6	9	10	V
Max. input signal handling	VCL	2	2.5		Vrms
Total harmonic distortion (V=1Vrms, f=1KHz)	THD		0.07	0.15	%
Signal to noise ratio	S/N		95		dB
Channel separation ( f=1KHz)	Sc		85		dB
Volume control 1.25dB step		-75		0	dB
Bass & treble control 2dB step		-14		+14	dB
Balance control 1.25dB step		-37.5		0	dB
Input gain 3.75dB step		0		11.25	dB
Mute attenuation			85		dB



4-Channel Input Audio Processor

PT2314

## ELECTRICAL CHARACTERISTICS

(Unless specified:  $T_a=25^{\circ}\text{C}$ ,  $V_c=9\text{V}$ ,  $R_L=10\text{K}\Omega$ ,  $R_g = 600\Omega$ , all controls flat ( $G=0$ ),  $f=1\text{KHz}$ )

Parameter	Symbol	Test Condition	Min.	Typ.	Max.	Unit
<b>Supply</b>						
Supply voltage	$V_{CC}$		6	9	10	V
Supply current	$I_s$			30	40	mA
<b>Input Selectors</b>						
Input resistance	$R_{II}$	Input 1,2,3	80	100	120	$\text{K}\Omega$
Clipping level	$V_{CL}$	$A_v=-8.75\text{ dB}$ ; $d=0.3\%$	2	2.5		$V_{rms}$
Input separation (2)	$S_{IN}$		80	100		dB
Min. input gain	$G_{INmin}$		-1	0	1	dB
Max. input gain	$G_{INmax}$			11.25		dB
<b>Volume Control</b>						
Input resistance	$R_{IV}$		30	40	50	$\text{K}\Omega$
Control range	$C_{RANGE}$		65	70	75	dB
Min. attenuation	$A_{VMIN}$		-1	0	1	dB
Max. attenuation	$A_{VMAX}$		65	70	75	dB
Step resolution	$A_{STEP}$		0.5	1.25	1.75	dB
Attenuation set error	$E_A$	$A_v=0$ to $-20\text{dB}$	-1.25	0	1.25	dB
		$A_v=-20$ to $-60\text{dB}$	-3.0		2	dB
<b>Speaker Attenuators</b>						
Control range	$C_{RANGE}$		35	37.5	40	dB
Step resolution	$S_{STEP}$		0.5	1.25	1.75	dB
Attenuation set error	$E_A$				1.5	dB
Output mute attenuation	$A_{MUTE}$		75	85		dB
<b>Bass Control (1)</b>						
Control range	$G_b$	Max. Boost/Cut	$\pm 12$	$\pm 14$	$\pm 16$	dB
Step resolution	$B_{STEP}$		1	2	3	dB
Internal feedback resistance	$R_B$		34	44	58	$\text{K}\Omega$
<b>Treble Control (1)</b>						
Control range	$G_t$	Max. Boost/Cut	$\pm 13$	$\pm 14$	$\pm 15$	dB
Step resolution	$T_{STEP}$		1	2	3	dB



4-Channel Input Audio Processor

PT2314

Parameter	Symbol	Test Condition	Min.	Typ.	Max.	Unit
<b>Audio Outputs</b>						
Clipping level	$V_{OCL}$	d=0.3%	2	2.5		Vrms
Output resistance	$R_{OUT}$		1.7	1.9	2.1	$\Omega$
DC voltage level	$V_{OUT}$		4.2	4.5	4.8	V
<b>General</b>						
Output noise	$e_{NO}$	BW=20-20KHz, flat		-97		dB
		Output Muted All gains=0dB		-92		dB
		A Curve All Gains=0dB		-100		dB
Signal to noise ratio	S/N	All Gains=0dB $V_o=1V_{rms}$		95		dB
Distortion	d	$AV=0, V_{IN}=1V_{rms}$		0.1	0.3	%
		$AV=-8.75dB, V_{IN}=1V_{rms}$		0.07	0.15	%
		$AV=-8.75dB, V_{IN}=0.3V_{rms}$		0.03	0.1	%
Channel separation left/right	$Sc$		80	90		dB
<b>Bus Inputs</b>						
Input low voltage	$V_{IL}$				1	V
Input high voltage	$V_{IH}$		3			V
Input current	$I_{IN}$		-5		+5	$\mu A$
Output voltage SDA acknowledge	$V_o$	$I_o=1.6mA$			0.4	V

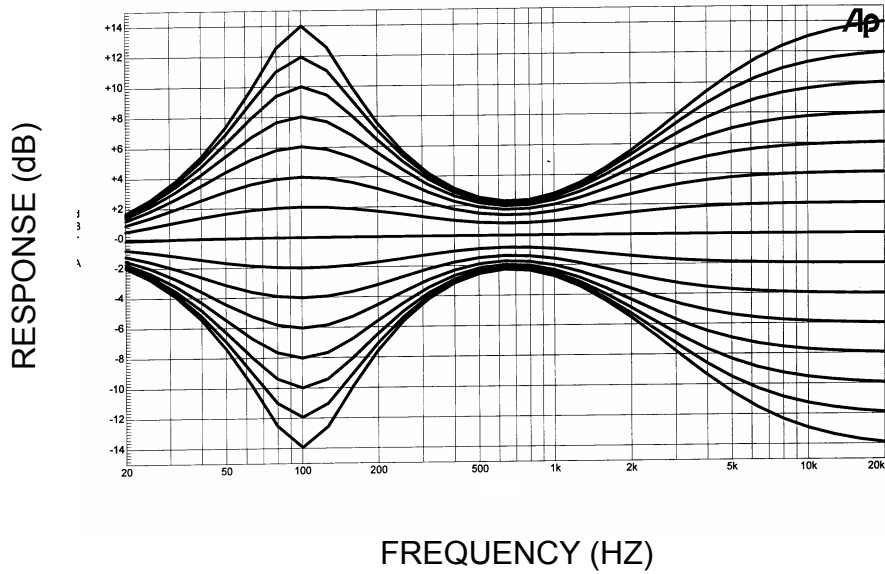
Notes:

- For the Bass and Treble Response, please, refer to the diagram below. The center frequency and quality of the resonance behavior can be selected by the external circuitry. A standard first order bass response can realized by a standard feedback network.
- The selected input is grounded thru the 2.2 $\mu F$  capacitor.

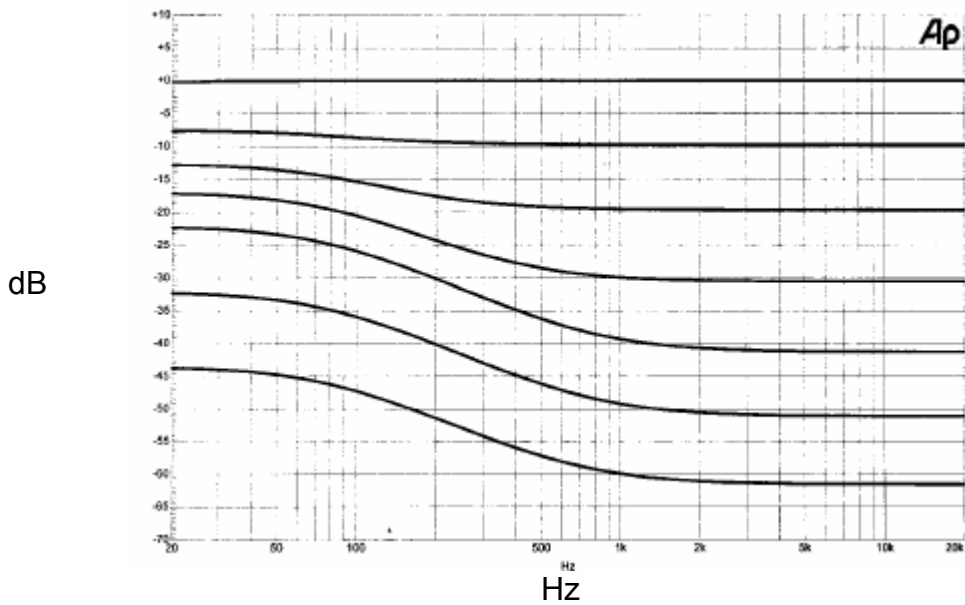


4-Channel Input Audio Processor

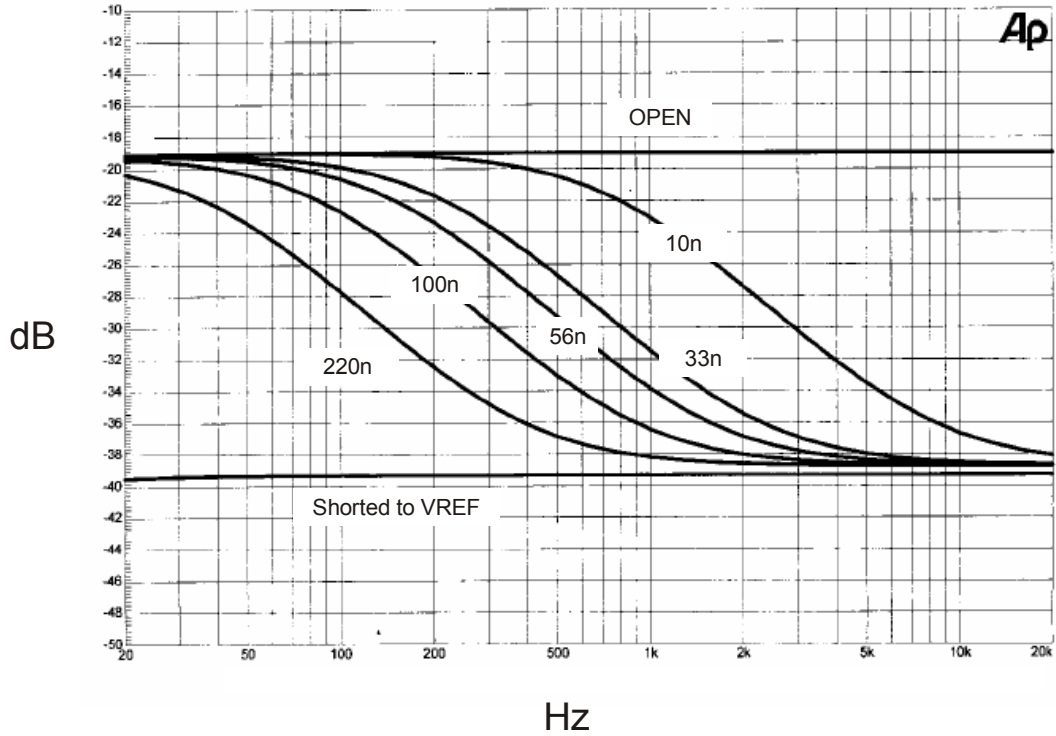
PT2314



Typical Tone Response (with the ext. Components indicated in the test circuit)



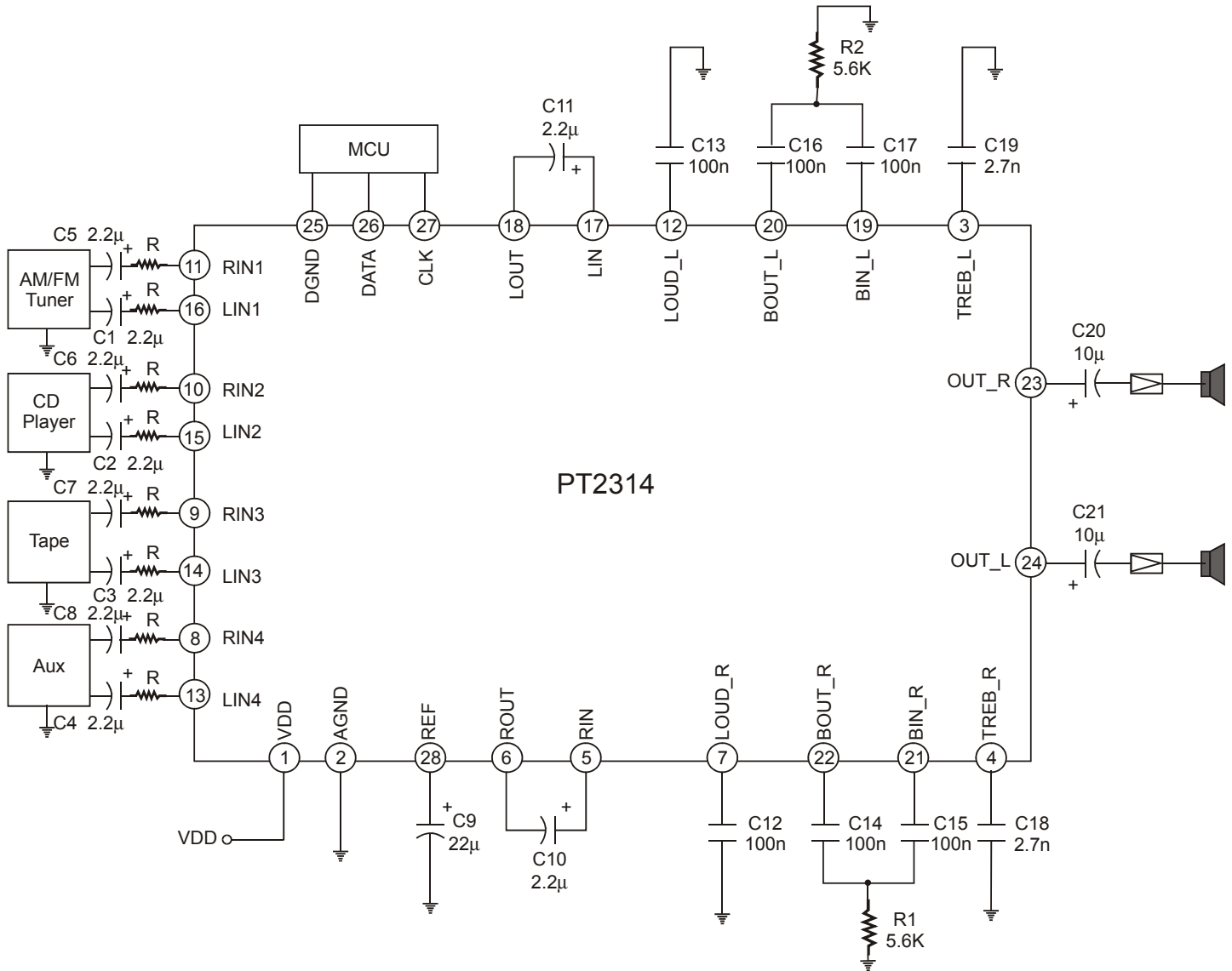
Loudness vs Volume Attenuation Frequency Response ( $C_{12}=C_{13}=100\text{nF}$ )



C12, C13 vs Loudness Frequency Response  
(Volume=-40dB, All other controls are flat)



# APPLICATION CIRCUIT



**Notes:**

1. It is suggested that you use Mylar Capacitor for capacitors, C12 ~ C19.
2. Resistor (R) Range = 2.0KΩ to 3.6KΩ
3. Recommended Value of Resistor ( R ) = 2.4KΩ



## ORDER INFORMATION

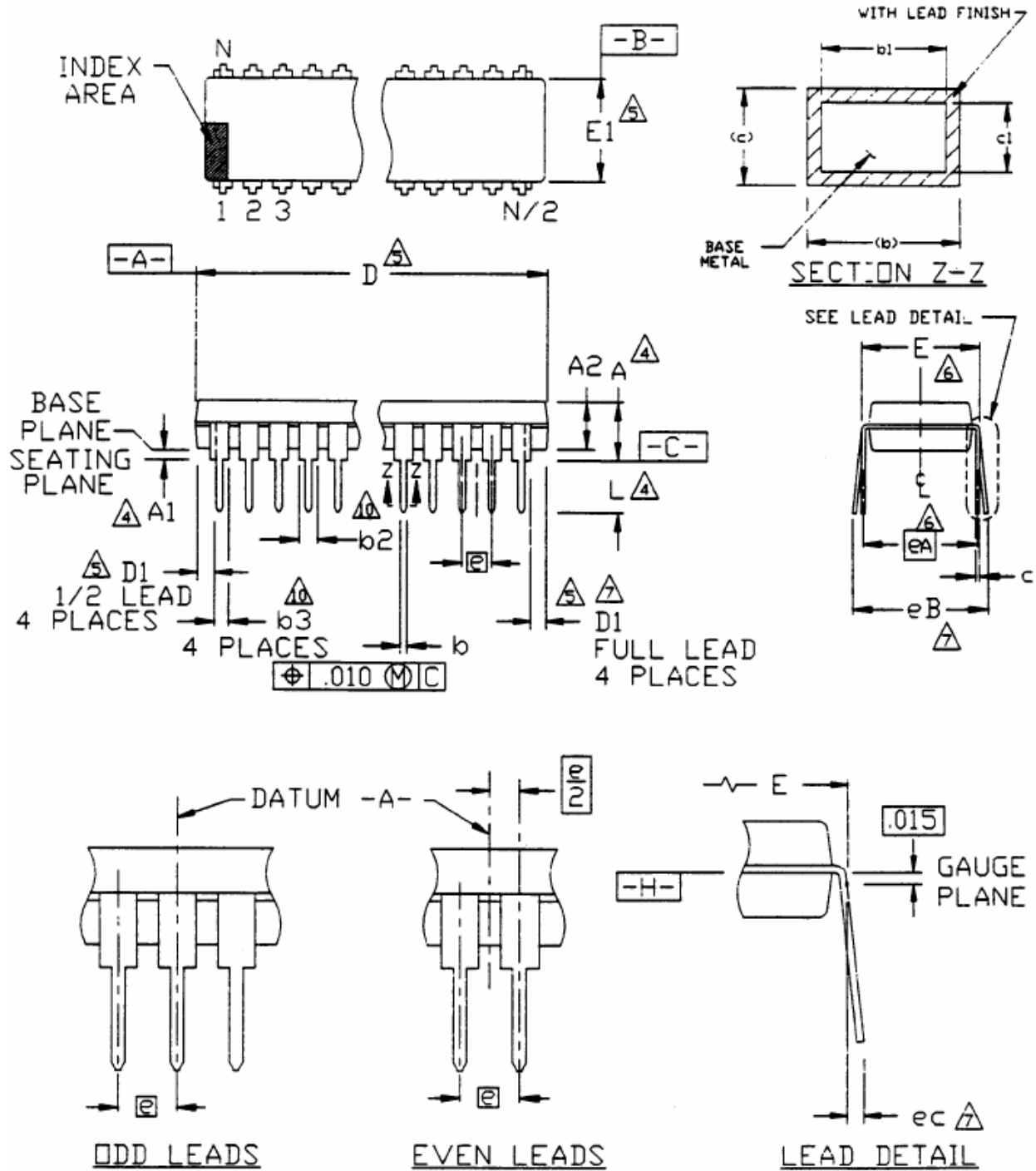
Valid Part Number	Package Type	Top Code
PT2314-D	28 Pins, DIP, 300mil	PT2314-D
PT2314	28 Pins, SOP, 300mil	PT2314





# PACKAGE INFORMATION

28 PINS, DIP, 300 MIL





4-Channel Input Audio Processor

PT2314

Symbol	Min.	Nom.	Max.
A	-	-	0.210
A1	0.015	-	-
A2	0.115	0.130	0.195
b	0.014	0.018	0.022
b1	0.014	0.018	0.020
b2	0.045	0.060	0.070
b3	0.030	0.039	0.045
c	0.008	0.010	0.014
c1	0.008	0.010	0.011
D	1.345	1.365	1.400
D1	0.005	-	-
E	0.300	0.310	0.325
E1	0.240	0.250	0.280
e	0.100 BSC		
eA	0.300 BSC		
eB	-	-	0.430
eC	0.000	-	0.060
L	0.115	0.130	0.150

Notes:

- All dimensions are in INCHES.
- Dimensioning and tolerancing per ANSI Y14.5M-1982.
- Dimension A, A1 and L are measured with the package seated in JEDEC Seating Plane Gauge GS-3.
- D, D1, and E1 dimensions do not include mold flash or protrusions. Mold flash or protrusions shall not exceed 0.010 inch.
- E and eA measured with the leads constrained to be perpendicular to datum -C-.
- eB and eC are measured at the lead tips with the leads constrained. N is the number of terminal positions (N=28)
- Pointed or rounded lead tips are preferred to ease insertion.
- b2 and b3 maximum dimensions do not include dambar protrusions. Dambar protrusions shall not exceed 0.010" (0.25mm).
- This variation is a 1/2 lead package.
- Distance between leads including dambar protrusions to be 0.005 inch minimum.
- Datum plane -H- coincident with the bottom of lead where lead exits body.
- Refer to JEDEC MS-001 Variation BF.

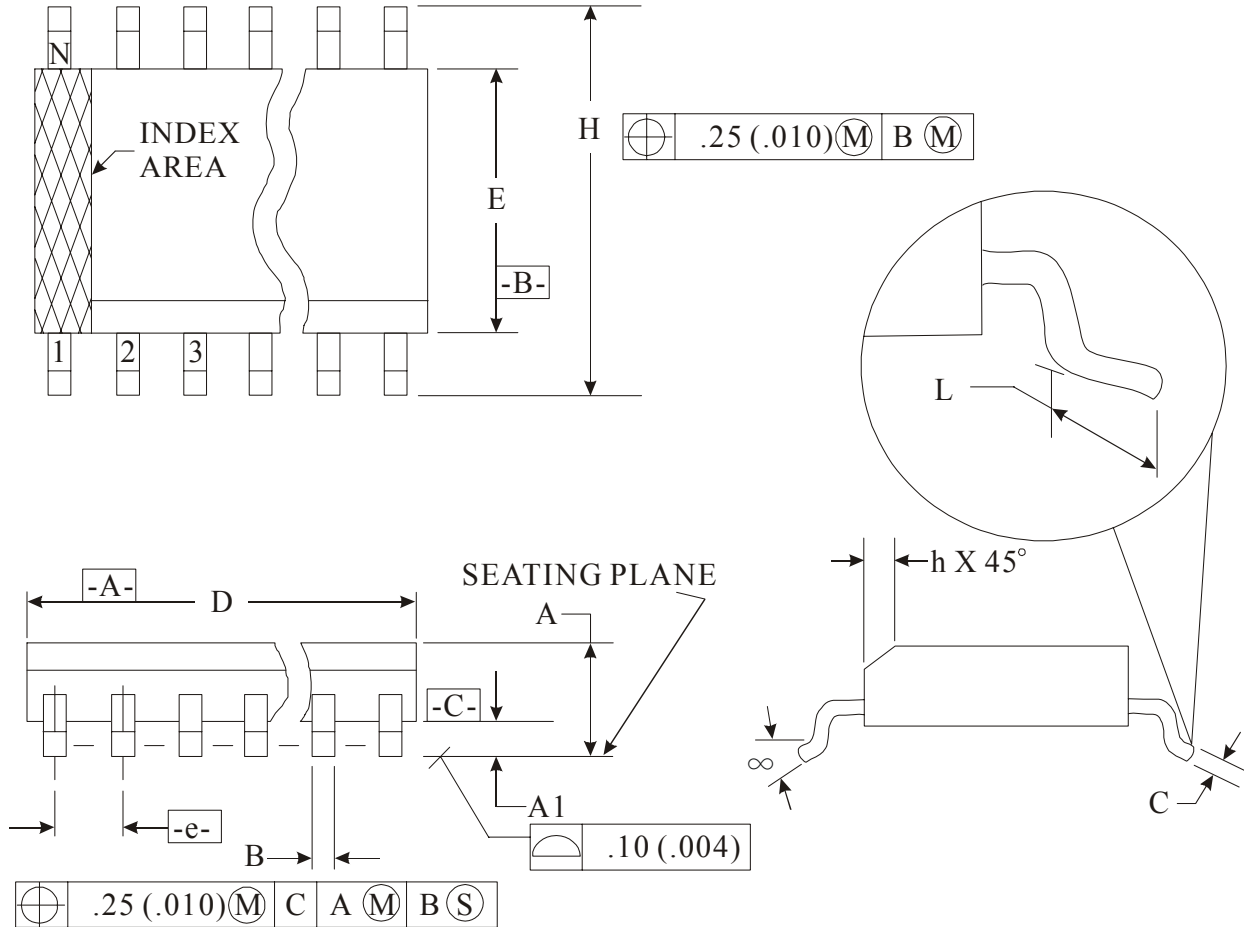
JEDEC is the registered trademark of JEDEC SOLID STATE TECHNOLOGY ASSOCIATION



4-Channel Input Audio Processor

PT2314

28 PINS, SOP, 300 MIL



Symbol	Min.	Nom.	Max.
A	2.35	-	2.65
A1	0.10	-	0.30
B	0.33	-	0.51
C	0.23	-	0.32
D	17.70	-	18.10
E	7.40	-	7.60
e	1.27 bsc.		
H	10.00	-	10.65
h	0.25	-	0.75
L	0.40	-	1.27
$\alpha$	0°	-	8°



## 4-Channel Input Audio Processor

**PT2314**

### Notes:

1. Dimensioning and tolerancing per ANSI Y14.5M-1982.
2. Dimension "D" does not include mold flash, protrusions or gate burrs. Mold Flash, protrusion or gate burrs shall not exceed 0.15 mm (0.006 in) per side.
3. Dimension "E" does not include interlead flash or protrusions. Interlead flash or protrusions shall not exceed 0.25 mm (0.010 in) per side.
4. The chamfer on the body is optional. It is not present, a visual index feature must be located within the crosshatched area.
5. "L" is the length of the terminal for soldering to a substrate.
6. N is the number of the terminal positions (N=28)
7. The lead width "B" as measured 0.36 mm (0.014 in) or greater above the seating plane, shall not exceed a maximum value of 0.61 mm (0.24 in).
8. Controlling dimension : MILLIMETER.
9. Refer to JEDEC MS-013, Variation AE.

JEDEC is the trademark of JEDEC SOLID STATE TECHNOLOGY ASSOCIATION.