



The Future of Analog IC Technology™

MP3204

1.3MHz Fixed Frequency 5 White LED Driver with Open LED Protection

DESCRIPTION

The MP3204 is a step-up converter designed for driving up to 5 series white LEDs from a single cell Lithium Ion battery. The MP3204 uses current mode, fixed frequency architecture to regulate the LED current, which is measured through an external current sense resistor. Its low 104mV feedback voltage reduces power loss and improves efficiency. The OV pin monitors the output voltage and turns off the converter if an over-voltage condition is present due to an open circuit condition.

The MP3204 includes under-voltage lockout, current limiting and thermal overload protection preventing damage in the event of an output overload. The MP3204 is available in a small 6-pin TSOT23 package.

EVALUATION BOARD REFERENCE

Board Number	Dimensions
EV3204DJ-00A	1.9"X x 1.8"Y x 0.4"Z

FEATURES

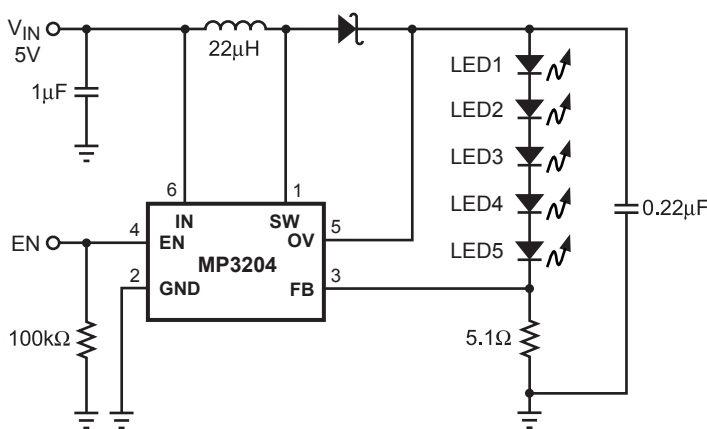
- On Board Power MOSFET
- Drives up to 5 Series White LEDs
- Up to 87% Efficiency
- Over 1MHz Fixed Switching Frequency
- Low 104mV Feedback Voltage
- Soft-Start/PWM Dimming
- UVLO, Thermal Shutdown
- Internal Current Limit
- Open Load Shutdown
- Available in a TSOT23-6 Package

APPLICATIONS

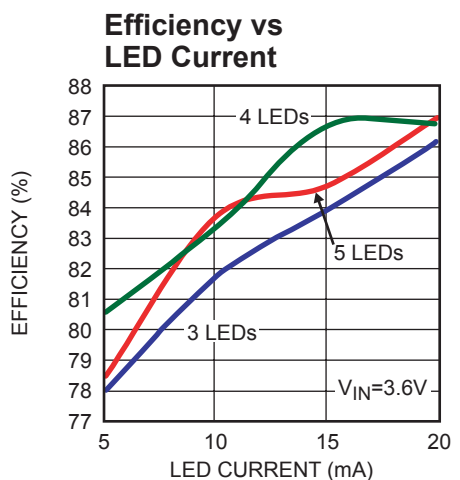
- Cell Phones
- Handheld Computers and PDAs
- Digital Still Cameras
- Small LCD Displays

"MPS" and "The Future of Analog IC Technology" are Trademarks of Monolithic Power Systems, Inc.

TYPICAL APPLICATION

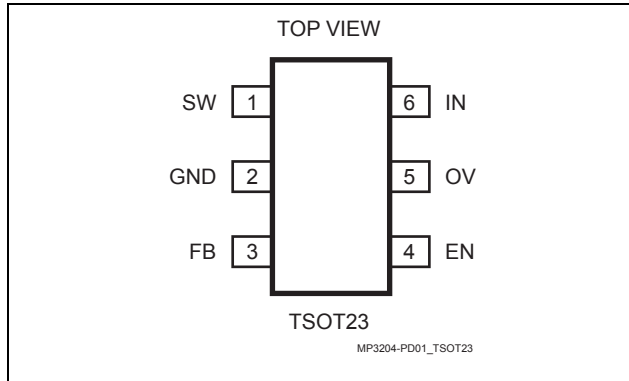


MP3204-TAC-S01



MP3204-EC01

PACKAGE REFERENCE



Part Number*	Package	Temperature
MP3204DJ	TSOT23-6	-40°C to +85°C

* For Tape & Reel, add suffix -Z (eg. MP3204DJ-Z)
 For Lead Free, add suffix -LF (eg. MP3204DJ-LF-Z)

ABSOLUTE MAXIMUM RATINGS ⁽¹⁾

SW Voltage..... -0.5V to +28V
 All Other Pins..... -0.3V to +6.5V
 Storage Temperature -55°C to +150°C

Recommended Operating Conditions ⁽²⁾

IN Supply Voltage 2.5V to 6V
 Output Voltage..... V_{IN} to 21V
 Operating Temperature -40°C to +85°C

Thermal Resistance ⁽³⁾ θ_{JA} θ_{JC}
 TSOT23-6 220 110.. °C/W

Notes:

- 1) Exceeding these ratings may damage the device.
- 2) The device is not guaranteed to function outside of its operating conditions.
- 3) Measured on approximately 1" square of 1 oz copper.

ELECTRICAL CHARACTERISTICS

$V_{IN} = V_{EN} = 5V$, $T_A = +25^\circ C$, unless otherwise noted.

Parameters	Symbol	Condition	Min	Typ	Max	Units
Operating Input Voltage	V_{IN}		2.5		6	V
Supply Current (Shutdown)		$V_{EN} = 0V$		0.1	1	μA
Supply Current (Quiescent)		$V_{FB} = 0.15V$		690	750	μA
Switching Frequency	f_{SW}		1.0	1.3	1.5	MHz
Maximum Duty Cycle		$V_{FB} = 0V$	85	92		%
Under Voltage Lockout						
IN Under Voltage Lockout	UVLO	V_{IN} Rising		2.25	2.45	V
Under Voltage Lockout Hysteresis				92		mV
Open Lamp Shutdown Threshold	V_{OV}	V_{OV} Rising		28		V

ELECTRICAL CHARACTERISTICS *(continued)*
 $V_{IN} = V_{EN} = 5V$, $T_A = +25^\circ C$, unless otherwise noted.

Parameters	Symbol	Condition	Min	Typ	Max	Units
Enable						
EN Threshold		V_{EN} Rising	1.0	1.35	1.6	V
EN Threshold		V_{EN} Rising, $V_{IN} = 2.5V$	0.8			V
EN Hysteresis				90		mV
EN Input Bias Current		$V_{EN} = 0V, 5V$			1	μA
Feedback						
FB Voltage			94	104	114	mV
FB Input Bias Current		$V_{FB} = 0.1V$	-600	-300		nA
Output Switch						
SW On-Resistance ⁽⁴⁾	R_{ON}			0.5		Ω
SW Current Limit		Duty Cycle = 60%		350		mA
Thermal Shutdown ⁽⁴⁾				160		$^\circ C$

Notes:

4) Guaranteed by design, not tested.

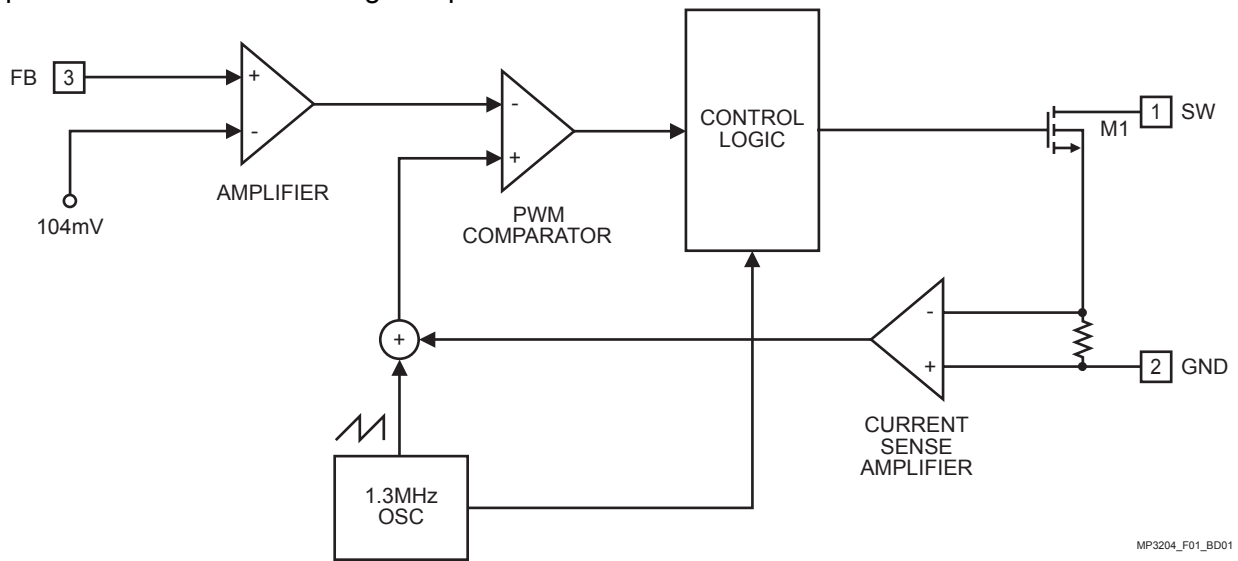
PIN FUNCTIONS

Pin #	Name	Description
1	SW	Power Switch Output. SW is the drain of the internal MOSFET switch. Connect the power inductor and output rectifier to SW. SW can swing between GND and 25V.
2	GND	Ground.
3	FB	Feedback Input. The MP3204 regulates the voltage across the current sense resistor between FB and GND. Connect a current sense resistor from the bottom of the LED string to GND. Connect the bottom of the LED string to FB. The regulation voltage is 104mV.
4	EN	Regulator On/Off Control Input. A high input at EN turns on the converter, and a low input turns it off. When not used, connect EN to the input source for automatic startup. The EN pin cannot be left floating.
5	OV	Over Voltage Input. OV measures the output voltage for open circuit protection. Connect OV to the output at the top of the LED string.
6	IN	Input Supply. This pin must be locally bypassed.

OPERATION

The MP3204 uses constant frequency, peak current mode boost regulator architecture to regulate a series of white LEDs. The operation of the MP3204 can be understood by referring to the block diagram of Figure 1. At the start of each oscillator cycle the FET is turned on through the control circuitry. To prevent sub-harmonic oscillations at duty cycles greater than 50%, a stabilizing ramp is added to the output of the current sense amplifier and the result is fed into the positive input of the PWM comparator. When this voltage equals the

output voltage of the error amplifier, the power FET is turned off. The voltage at the output of the error amplifier is an amplified version of the difference between the 104mV reference voltage and the feedback voltage. This is the manner in which the peak current level keeps the output in regulation. If the feedback voltage begins to drop, the output of the error amplifier increases. This results in more current flowing through the power FET, thus increasing the power delivered to the output.



MP3204_F01_BD01

Figure 1—Functional Block Diagram

APPLICATION INFORMATION

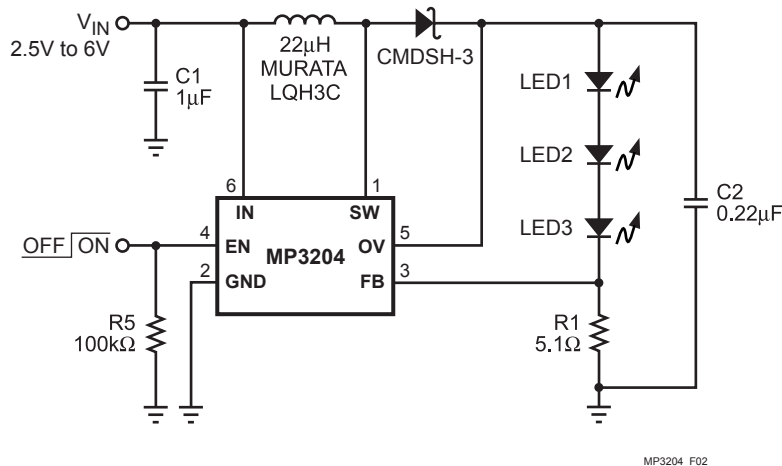


Figure 2—Driving 3 White LEDs

A typical application circuit can be seen in Figure 2. The 3 white LEDs can be driven from a voltage supply range of 2.5V to 6V at an output current of 20mA. A 0.22µF output capacitor is sufficient for most applications but an output capacitor of up to 1µF may be used. A 22µH inductor with low DCR (inductor resistance) is recommended for improved efficiency. A 1µF ceramic capacitor is recommended for the input capacitance in the real system. Schottky diodes have fast recovery times and a low forward voltage and are also recommended. Schottky diodes with ratings of 100mA to 200mA are sufficient for use with the MP3204. The switching characteristics during normal operation can be seen in Figure 3. The MP3204 has internal soft-start to limit the amount of current through VIN at startup and to also limit the amount of overshoot on the output. The current limit is increased by a fourth every 40µs, giving a total soft start time of 120µs.

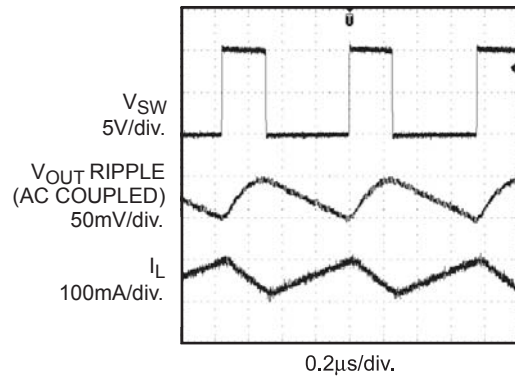


Figure 3—Steady-State Operation
(VIN=3.6V, 3 LEDs, 20mA)

Figure 4 shows the startup behavior of the MP3204. The ramped voltage that is added to the current sense amplifier reduces the current output as the duty cycle increases. As more LEDs are added, the output voltage rises but the current that can be delivered to the load is reduced as well.

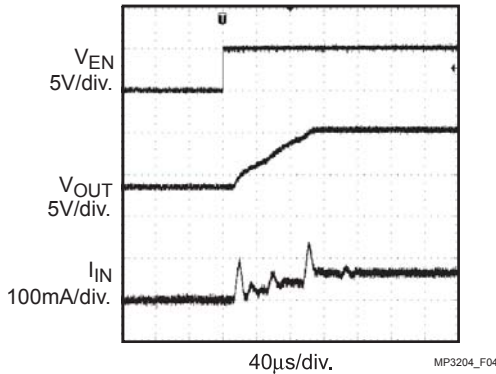


Figure 4—Startup Waveforms
($V_{IN}=3.6V$, 3 LEDs, 20mA)

Figure 5 shows the dependence on current limit versus duty cycle.

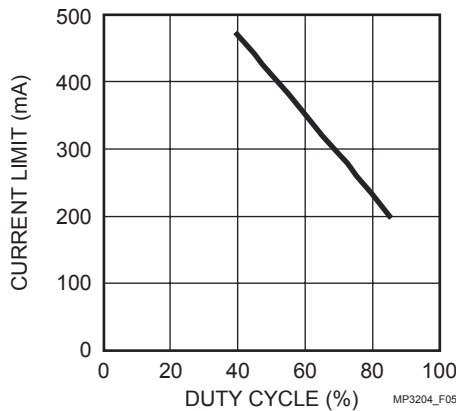


Figure 5—Current Limit vs. Duty Cycle

Setting the LED Current

The LED current is controlled by the feedback resistor, R1, as shown in Figure 2. The current through the LEDs is equal to $104mV/R1$. Table 1 shows the selection of resistors for a given LED current.

Table 1— I_{LED} vs. R1

I_{LED} (mA)	R1 (Ω)
1	104
5	20.8
10	10.4
15	6.93
20	5.2

Analog and Digital Dimming

There are three different ways to control dimming for the MP3204 during normal operation. The first way uses a DC voltage to control the feedback voltage, which can be seen in Figure 6. As the DC voltage increases, current starts flowing down R1, R2 and R3. The loop will continue to regulate the feedback voltage to 104mV. Thus, the current has to decrease through the LEDs by the same amount of current as is being injected from the DC voltage source. With a VDC from 0V to 2V, the resistor values shown for R2 and R3 can control the LED current from 0mA to 20mA.

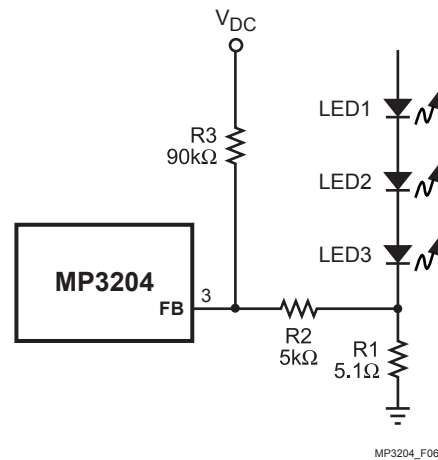


Figure 6—Dimming Control Using a DC Voltage

Other applications require the use of a logic signal to execute the dimming. This can be seen in Figure 7. The PWM signal is applied to the EN pin of the MP3204. The LEDs will switch between full load to complete shutoff. The average current through the LEDs will increase proportionally to the duty cycle of the PWM signal. The signal used in Figure 7 should be 1KHz or below due to the soft-start function.

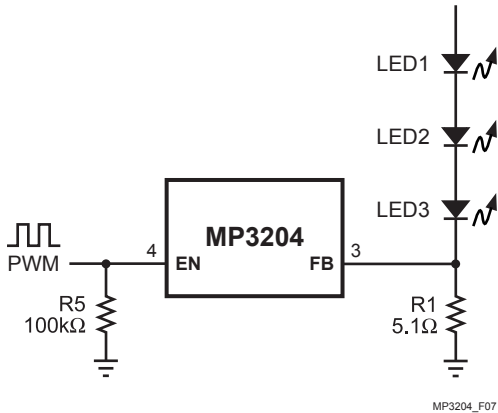


Figure 7—PWM Dimming Control Using a Logic Signal

If the PWM signal is above 1KHz, dimming can be achieved by using the circuit shown in Figure 8.

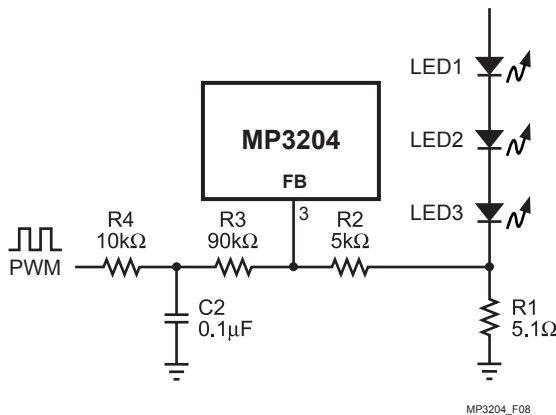


Figure 8—Dimming Control Using a Filtered PWM Signal

Open Load Protection

Open Load protection will shutoff the MP3204 if the output voltage goes too high when the OV pin is tied to the output. In some cases an LED may fail, which will result in the feedback voltage always being zero. The part will run at the maximum duty cycle, boosting the output voltage higher and higher. By tying the OV pin to the top of the LED string the MP3204 checks the said condition and if the output ever exceeds 28V the MP3204 will shutdown. The part will not switch on again until the power is recycled. Figure 9 shows the behavior of the MP3204 into an open load.

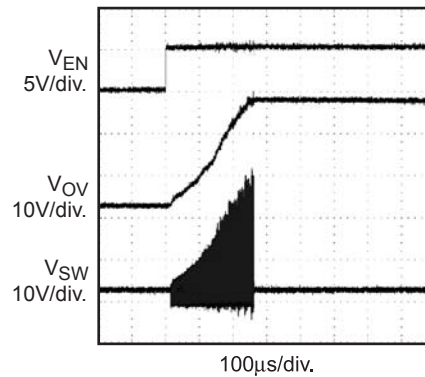


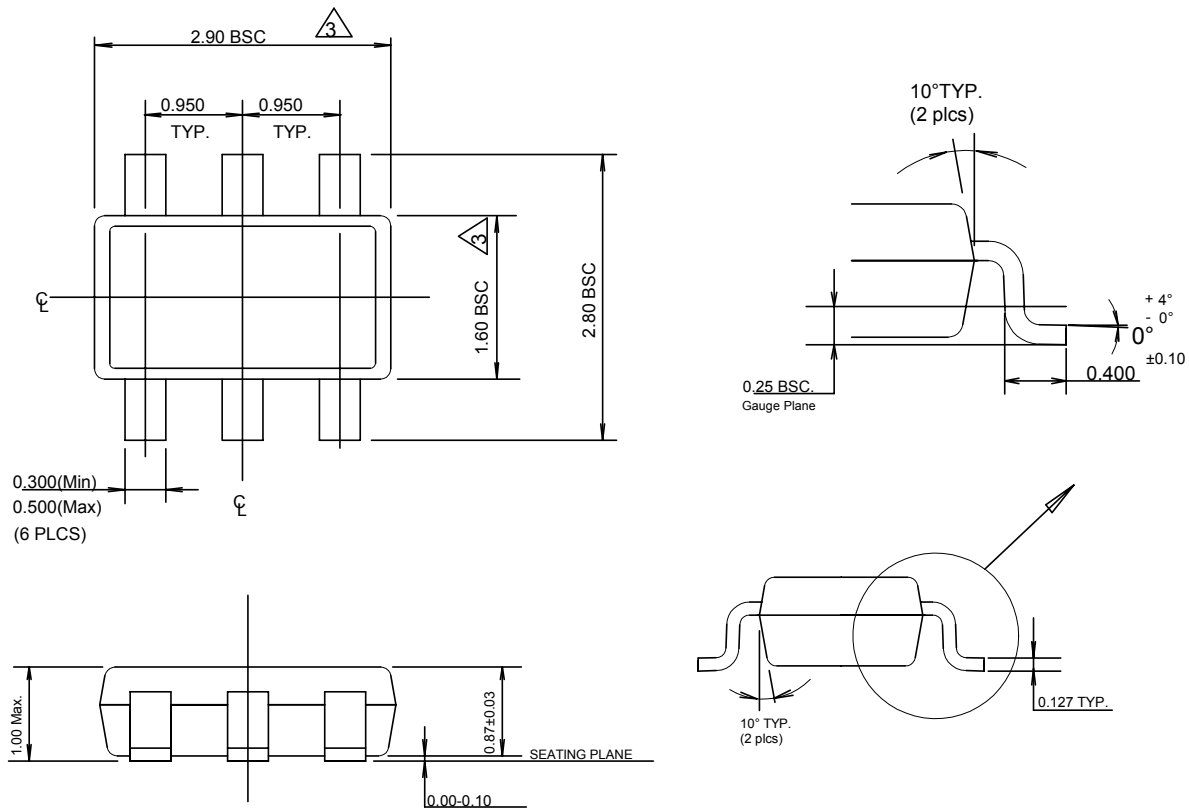
Figure 9—Startup Waveforms into an Open Load ($V_{IN}=3.6V$)

Layout Considerations

Careful attention must be paid to the PCB board layout and component placement. Proper layout of the high frequency switching path is critical to prevent noise and electromagnetic interference problems. Due to the high frequency switching, the length and area of all the traces connected to the switch node should be minimized. Refer to the evaluation board EV3204DJ-00A for a sample layout of the MP3204.

PACKAGE INFORMATION

TSOT23-6



NOTE:

1. Dimensions and tolerances are as per ANSI Y14.5M, 1994.
2. Die is facing up for mold. Die is facing down for trim/form, ie. reverse trim/form.
3. Dimensions are exclusive of mold flash and gate burr.
4. The footlength measuring is based on the gauge plane method.
5. All specification comply to Jedec Spec MO193 Issue C.

NOTICE: The information in this document is subject to change without notice. Please contact MPS for current specifications. Users should warrant and guarantee that third party Intellectual Property rights are not infringed upon when integrating MPS products into any application. MPS will not assume any legal responsibility for any said applications.