

2.1Wx2CH 4Ω VDD= 5 V Non-Clip Class D Amplifier

YDA144

D-4N

Description

The YDA144 is a 2.1W (per channel) Non-Clip class D stereo amplifier IC. The YDA144 features YAMAHA original **non-clip output control function** which detects output signal clip due to the over level input signal and suppress the output signal clip automatically. Also the **non-clip output control function** can adapt the output clip caused by power supply voltage down with battery. This is the difference from the traditional AGC or ALC circuit.

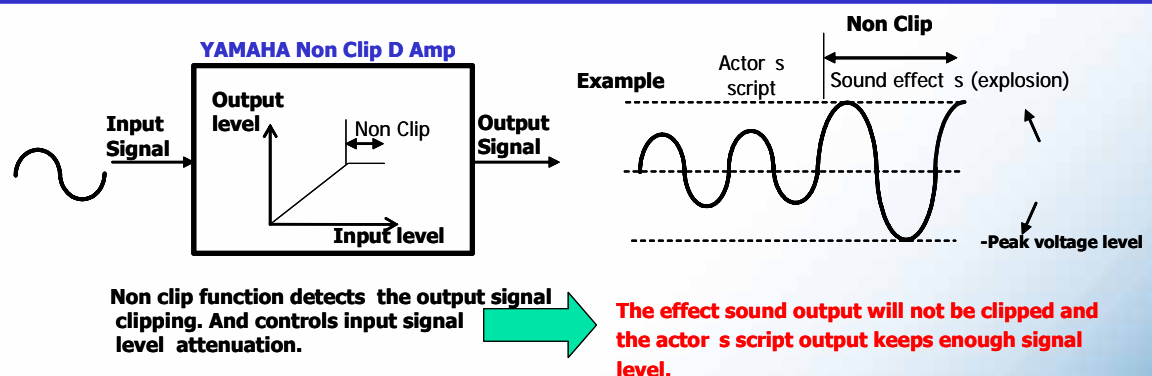
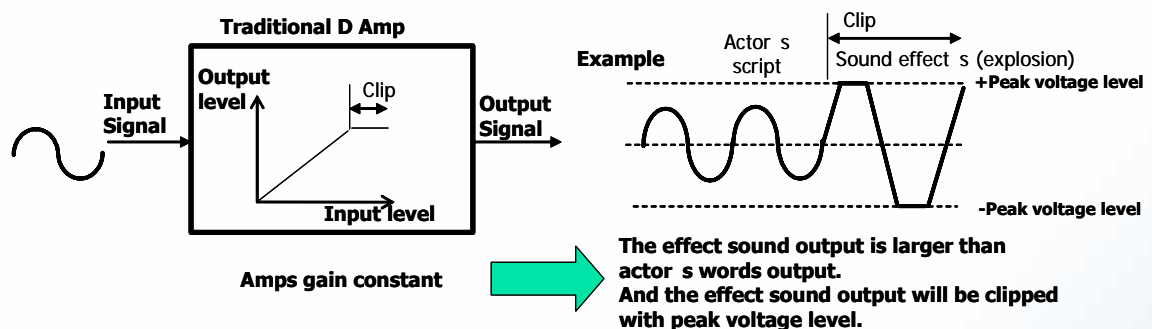
Application

Small speaker audio system such as cellular phone, PDA, portable DVD, note PC

Features

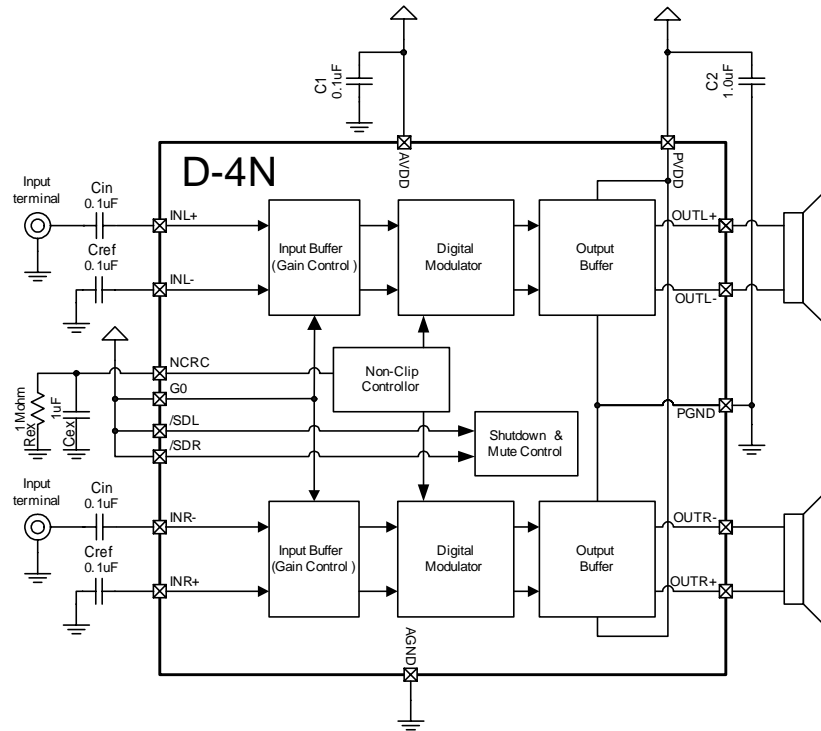
- Output Power
 - ▶ 2.1Wx2CH at 4Ω VDD=5V THD+N<10%
- Power Supply Voltage
 - ▶ VDD=2.7V ~ 5.25V
- Signal Input & Output
 - ▶ Analog signal input/non-clip range 10dB
 - ▶ PWM BTL output
- Others
 - ▶ 2step input gain 12dB/18dB
 - ▶ Package: 16CSP, 2x2mm size
20QFN(Under planning)

Non-Clip Function



Good for: small power/small size speaker, battery drive equipment, movie & game playback

Block Diagram



Notice The contents of this document are subject to change without prior notice.
Please contact to YAMAHA for the latest information.

AGENT

YAMAHA CORPORATION

Address inquiries to:
Semiconductor Sales & Marketing Department

- Head Office 203, Matsunokijima, Iwata,
Shizuoka, 438-0192, Japan
Tel. +81-539-62-4918 Fax. +81-539-62-5054
- Tokyo Office 2-17-11, Takanawa, Minato-ku,
Tokyo, 108-8568, Japan
Tel. +81-3-5488-5431 Fax. +81-3-5488-5088
- Osaka Office 3-12-12, Minami Senba, Chuo-ku,
Osaka City, Osaka, 542-0081, Japan
Tel. +81-6-6252-6221 Fax. +81-6-6252-6229