

DATA SHEET



GPY0030A

Audio Driver

AUG. 21, 2006

Version 1.1

GENERALPLUS TECHNOLOGY INC. reserves the right to change this documentation without prior notice. Information provided by GENERALPLUS TECHNOLOGY INC. is believed to be accurate and reliable. However, GENERALPLUS TECHNOLOGY INC. makes no warranty for any errors which may appear in this document. Contact GENERALPLUS TECHNOLOGY INC. to obtain the latest version of device specifications before placing your order. No responsibility is assumed by GENERALPLUS TECHNOLOGY INC. for any infringement of patent or other rights of third parties which may result from its use. In addition, GENERALPLUS products are not authorized for use as critical components in life support devices/systems or aviation devices/systems, where a malfunction or failure of the product may reasonably be expected to result in significant injury to the user, without the express written approval of Generalplus.

Table of Contents

PAGE

1. GENERAL DESCRIPTION 3

2. FEATURES 3

3. BLOCK DIAGRAM 3

4. SIGNAL DESCRIPTIONS 4

 4.1. PIN ASSIGNMENT 4

5. ELECTRICAL SPECIFICATIONS 5

 5.1. ABSOLUTE MAXIMUM RATINGS 5

 5.2. DC CHARACTERISTICS ($T_A = 25^\circ\text{C}$) 5

 5.3. TYPICAL PERFORMANCE CHARACTERISTICS 6

 5.3.1. Output power vs. supply voltage ($f_{IN} = 1.0 \text{ KHz}$, $R_L = 8.0\Omega$, $20\text{Hz} < \text{BW} < 22 \text{ KHz}$) 6

 5.3.2. Output power vs. supply voltage ($f_{IN} = 1.0 \text{ KHz}$, $R_L = 16\Omega$, $20\text{Hz} < \text{BW} < 22 \text{ KHz}$) 6

 5.3.3. Output power vs. supply voltage ($f_{IN} = 1.0 \text{ KHz}$, $R_L = 32\Omega$, $20\text{Hz} < \text{BW} < 22 \text{ KHz}$) 6

6. APPLICATION CIRCUIT 7

7. PACKAGE/PAD LOCATIONS 8

 7.1. PAD ASSIGNMENT 8

 7.2. ORDERING INFORMATION 8

 7.3. PACKAGE INFORMATION 9

 7.3.1. SOP 8 9

 7.3.2. PDIP 8 10

8. DISCLAIMER 11

9. REVISION HISTORY 12

AUDIO DRIVER

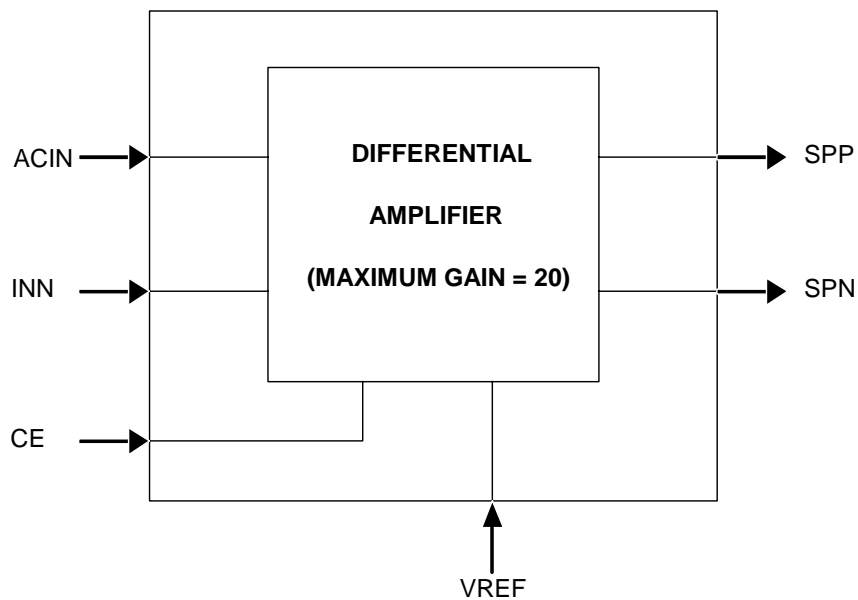
1. GENERAL DESCRIPTION

The GPY0030A is an audio driver whose gain can be adjusted by external resistor. (Maximum gain is 20) Normally, it is applied for GPC series, GPF series, GPL series and other GENERALPLUS products. The GPY0030A is easily to be used in various applications and products.

2. FEATURES

- Wide operation range: 2.4V - 6.8V
- Dual-end output mode
- Low distortion: THD+N = 0.55% (Typ.)
(For VDD = 5.0V, $R_L = 8.0\Omega$ & $P_{out} = 500mW$)
- High output power: $P_{OUT} = 825mW$
(For VDD = 5.0V, THD+N = 10%, $f = 1.0KHz$ & $R_L = 8.0\Omega$)
- Low standby current: 1.0 μA

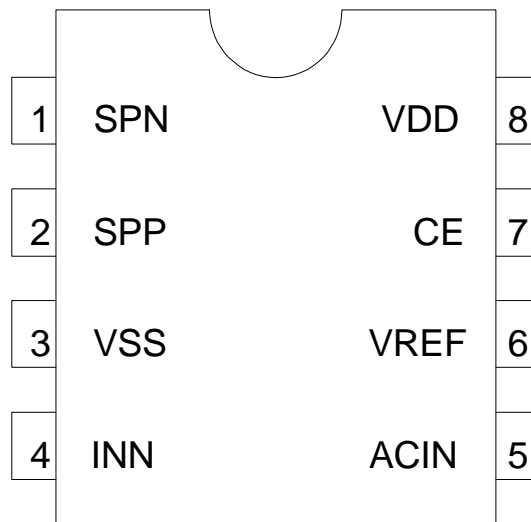
3. BLOCK DIAGRAM



4. SIGNAL DESCRIPTIONS

Mnemonic	PIN No.	Type	Description	Electrical Characteristics
VDD	8	I	Power VDD	2.4V - 6.8V
VSS	3	I	Power VSS	-
SPP	2	O	Audio output positive	-
SPN	1	O	Audio output negative	-
ACIN	5	I	Signal input positive	-
INN	4	I	Signal input negative	-
CE	7	I	Chip enable	-
VREF	6	O	Reference voltage	VDD/2

4.1. PIN Assignment



5. ELECTRICAL SPECIFICATIONS

5.1. Absolute Maximum Ratings

Characteristics	Symbol	Ratings
DC Supply Voltage	V_+	< 7.0V
Input Voltage Range	V_{IN}	-0.5V to $V_+ + 0.5V$
Operating Temperature	T_A	0°C to +60°C
Storage Temperature	T_{STO}	-50°C to +150°C

Note: Stresses beyond those given in the Absolute Maximum Rating table may cause operational errors or damage to the device. For normal operational conditions see AC/DC Electrical Characteristics.

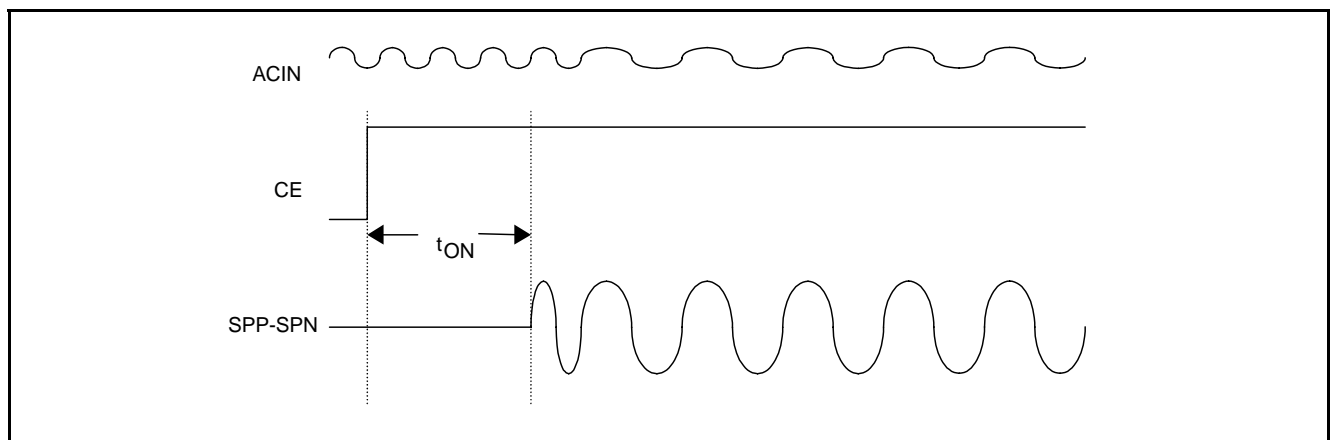
5.2. DC Characteristics ($T_A = 25^\circ\text{C}$)

Characteristics	Symbol	Limit			Unit	Test Condition
		Min.	Typ.	Max.		
Operating Voltage	VDD	2.4	-	6.8	V	For 2- or 3-battery application
Standby Current	I_{STBY}	-	-	1.0	μA	CE low
Reference Voltage	V_{VREF}	-	VDD/2	-	V	CE high, the voltage of VREF (PIN 6)
Total Harmonic Distortion + Noise	THD+N	-	0.55	1.0	%	VDD = 5.0V, $R_L = 8.0\Omega$, $P_{OUT} = 500\text{mW}$
Input Resistor (CE)	R_{CE}	-	20	-	$\text{K}\Omega$	$V_{IH} = \text{VDD}$, Pull-low
Input Current (CE)	I_{CE}	200	-	-	μA	$V_{IH} = 2.3V$ at VDD = 5.0V
Operating Current	I_{CC}	-	3.0	6.0	mA	CE high, no load & ACIN floating
Output Power (See Note 1)	P_{OUT}	500	675	-	mW	VDD = 5.0V, THD+N = 1%, $f = 1.0\text{KHz}$ & $R_L = 8.0\Omega$
		-	825	-	mW	VDD = 5.0V, THD+N = 10%, $f = 1.0\text{KHz}$ & $R_L = 8.0\Omega$
Enable Time (See Note 2)	T_{ON}	-	15	-	ms	VDD = 5.0V
		-	30	-	ms	VDD = 3.0V

Note1: Output power = $(V_{O(PEAK)}^2)/2/R_L$; $V_{O(PEAK)} = (V_{I(PEAK)}) * \text{GAIN}$;

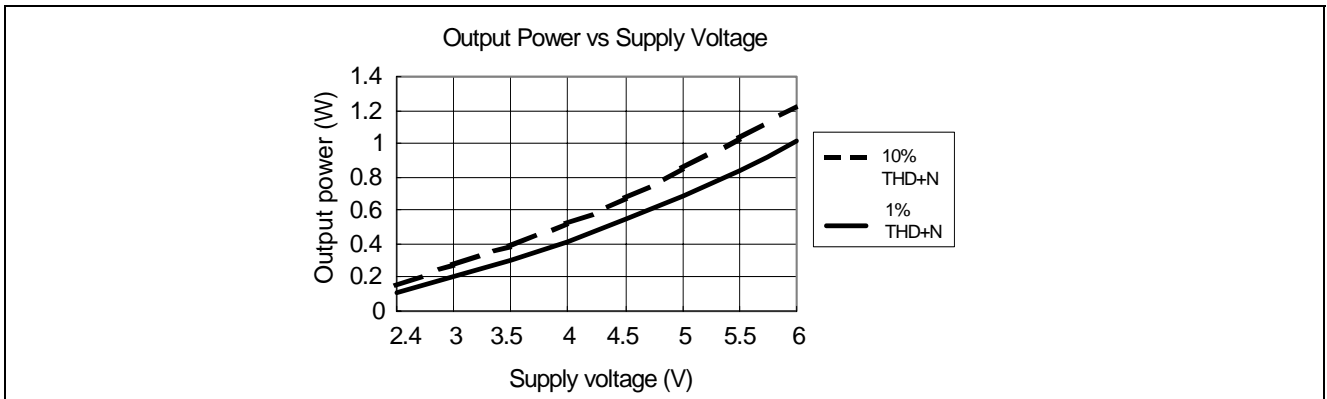
So we can get the input range from output power, output loading and audio driver's gain.

Note2: t_{ON} is the time from CE high (chip enable) to SPP or SPN output.

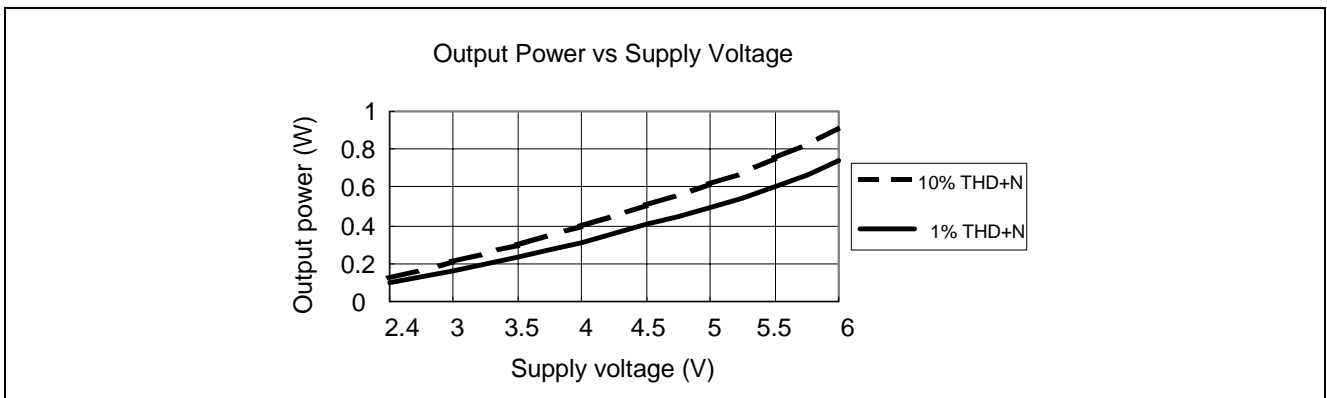


5.3. Typical Performance Characteristics

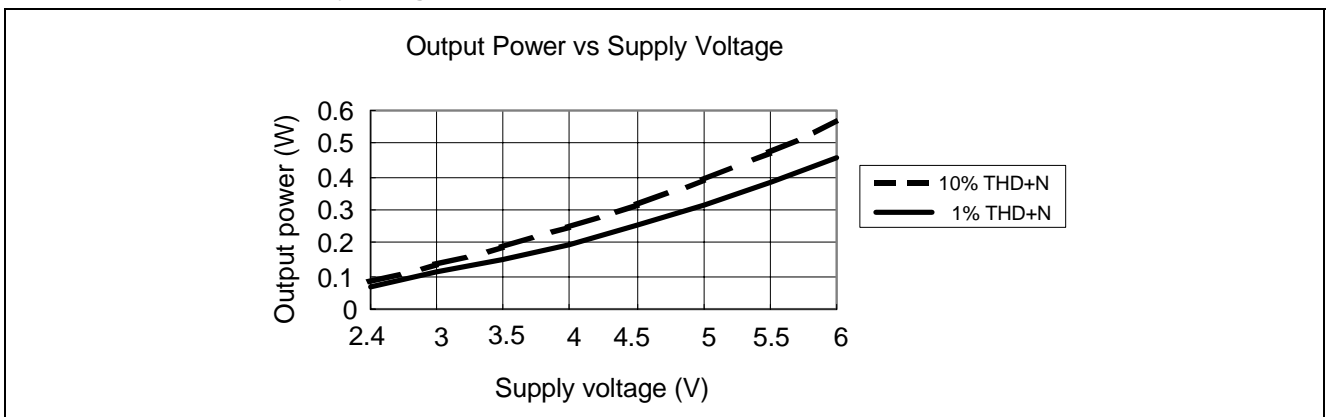
5.3.1. Output power vs. supply voltage ($f_{IN} = 1.0 \text{ KHz}$, $R_L = 8.0\Omega$, $20\text{Hz} < \text{BW} < 22 \text{ KHz}$)



5.3.2. Output power vs. supply voltage ($f_{IN} = 1.0 \text{ KHz}$, $R_L = 16\Omega$, $20\text{Hz} < \text{BW} < 22 \text{ KHz}$)

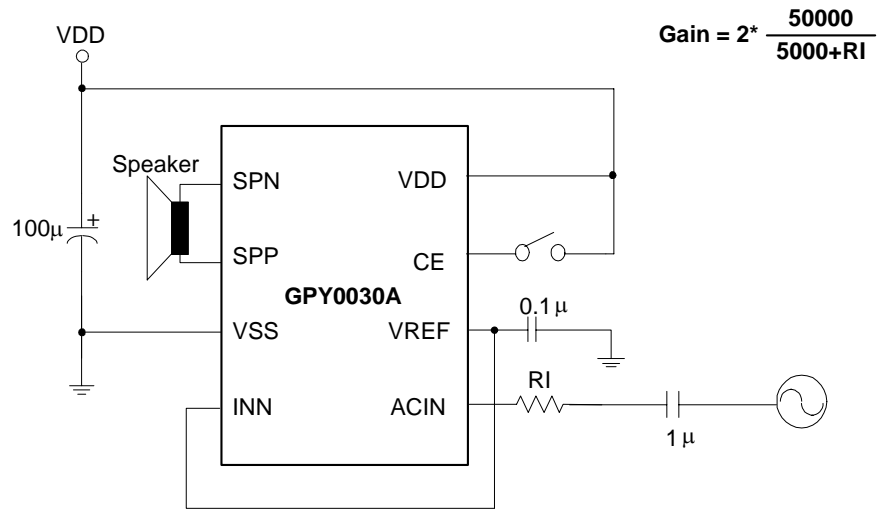


5.3.3. Output power vs. supply voltage ($f_{IN} = 1.0 \text{ KHz}$, $R_L = 32\Omega$, $20\text{Hz} < \text{BW} < 22 \text{ KHz}$)

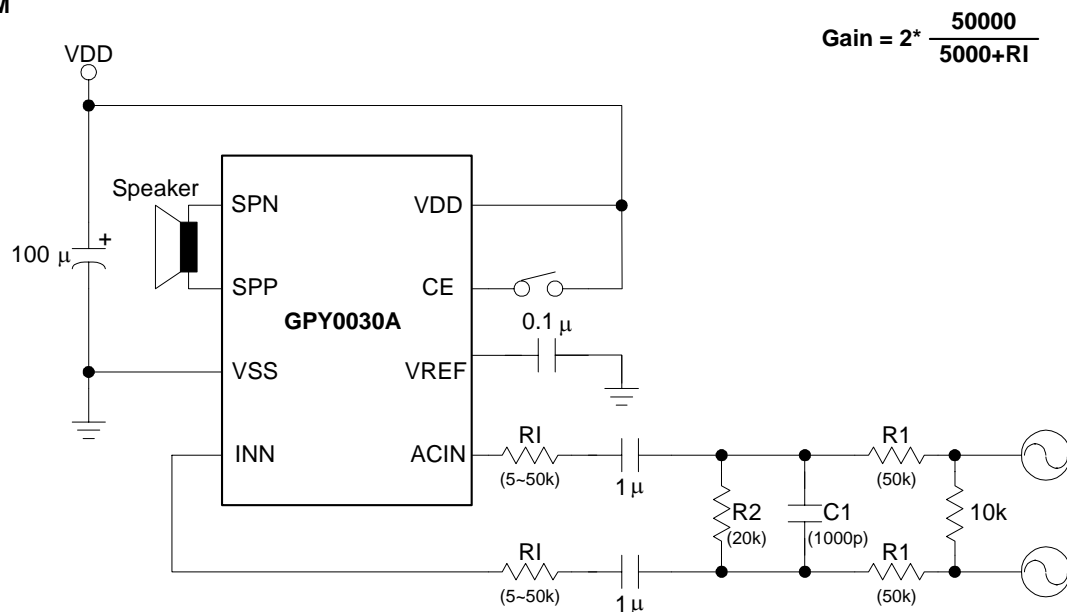


6. APPLICATION CIRCUIT

1. Double-end

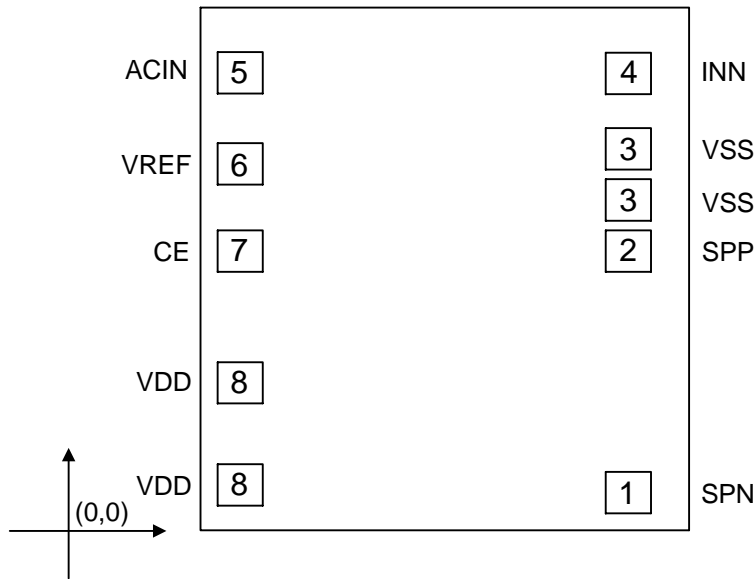


2.PWM



7. PACKAGE/PAD LOCATIONS

7.1. PAD Assignment



This IC substrate should be connected to VSS

Note1: To ensure the IC functions properly, please bond all of VDD and VSS pins.

Note2: The 0.1 μ F capacitor between VDD and VSS should be placed to IC as close as possible.

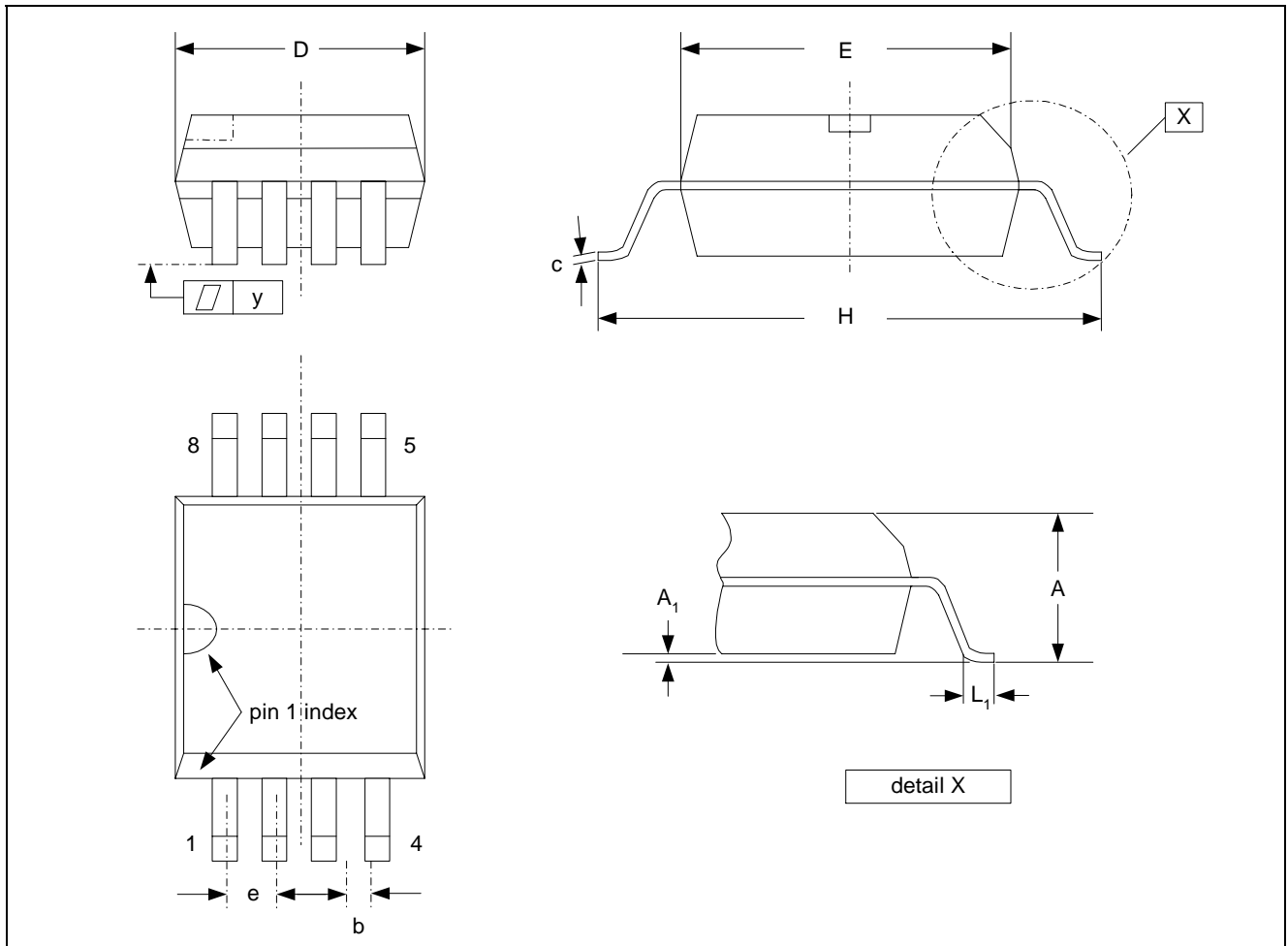
7.2. Ordering Information

Product Number	Package Type
GPY0030A - C	Chip form
GPY0030A - PS01x	Package form - SOP8 (150mil)
GPY0030A - PD01x	Package form - PDIP 8 (300mil)
GPY0030A - HS01x	Green Package form - SOP8 (150mil)
GPY0030A - HD01x	Green Package form - PDIP 8 (300mil)

Note: Package form number (x = 0 - 9, serial number).

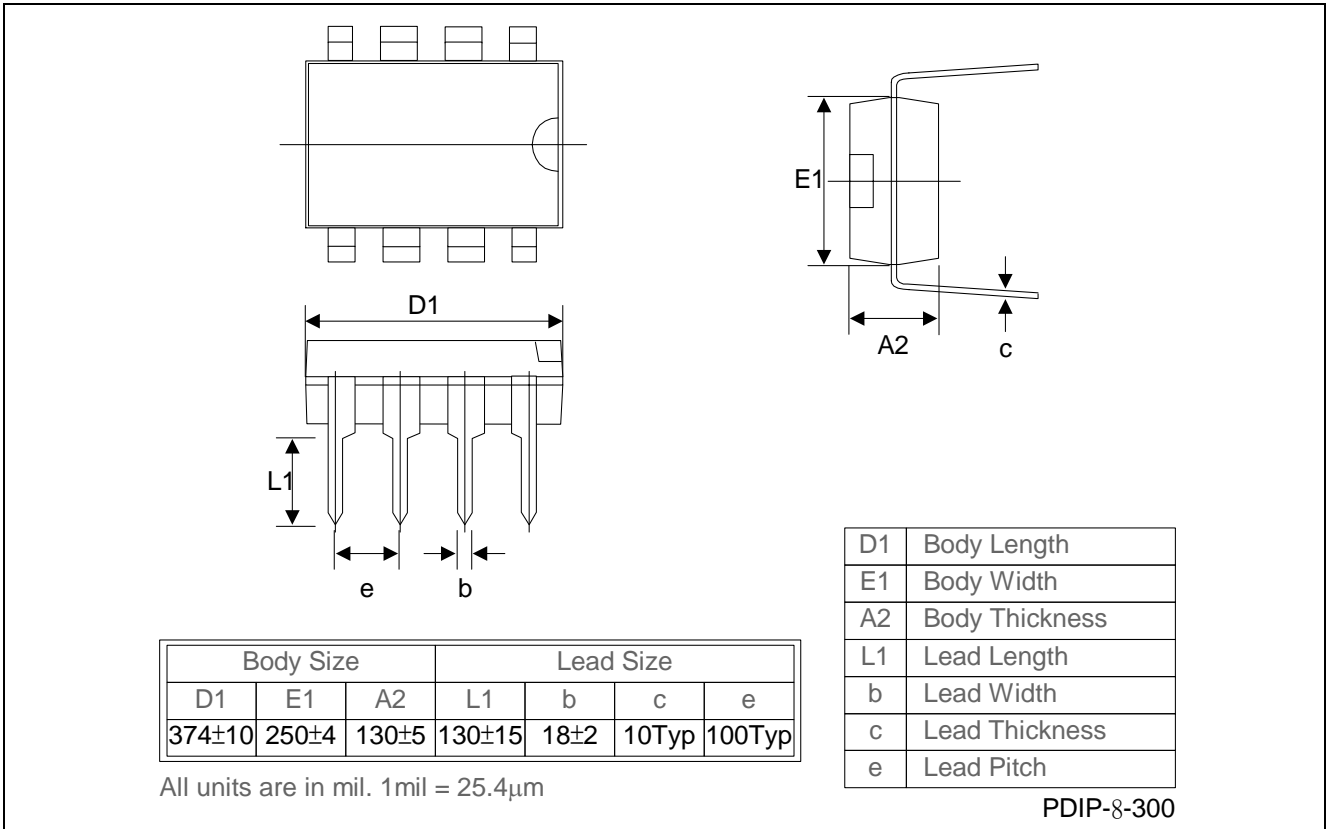
7.3. Package Information

7.3.1. SOP 8



Symbol	Dimension in inch		
	Min.	Typ.	Max.
A	0.053	-	0.069
A ₁	0.004	-	0.010
b	-	0.016	-
D	0.189	-	0.196
E	0.150	-	0.157
e	-	0.050	-
H	0.228	-	0.244
L ₁	0.016	-	0.050
y	-	-	0.004

7.3.2. PDIP 8



8. DISCLAIMER

The information appearing in this publication is believed to be accurate.

Integrated circuits sold by Generalplus Technology are covered by the warranty and patent indemnification provisions stipulated in the terms of sale only. GENERALPLUS makes no warranty, express, statutory implied or by description regarding the information in this publication or regarding the freedom of the described chip(s) from patent infringement. FURTHERMORE, GENERALPLUS MAKES NO WARRANTY OF MERCHANTABILITY OR FITNESS FOR ANY PURPOSE. GENERALPLUS reserves the right to halt production or alter the specifications and prices at any time without notice. Accordingly, the reader is cautioned to verify that the data sheets and other information in this publication are current before placing orders. Products described herein are intended for use in normal commercial applications. Applications involving unusual environmental or reliability requirements, e.g. military equipment or medical life support equipment, are specifically not recommended without additional processing by GENERALPLUS for such applications. Please note that application circuits illustrated in this document are for reference purposes only.

9. REVISION HISTORY

Date	Revision #	Description	Page
AUG. 21, 2006	1.1	Modify the "Ordering Information" in section 7.2.	8
FEB. 13, 2006	1.0	Original Note: The GPY0030A data sheet v1.0 is a continued version of SPY0030A data sheet v1.0.	12