

## Fixed Frequency White LED Step-Up Converter

### Features

- ☞ Inherently Matched LED Current
- ☞ High Efficiency: 87% Typical
- ☞ Drives Up to Five LEDs from 2.5V Supply
- ☞ 24V Internal Power Switch
- ☞ Fast 850kHz Switching Frequency
- ☞ Uses Tiny 1mm Tall Inductors
- ☞ Requires Only 1 $\mu$ F Output Capacitors
- ☞ 20V Over Voltage Protection
- ☞ SOT-23-6 Package

### Applications

- ☞ White LED Backlight Display for PDA
- ☞ Pocket PC
- ☞ Smart Phones
- ☞ Handheld Devices
- ☞ Cellular Phones

### General

The G5121 is a step-up DC/DC converter specifically designed to drive up to 5 series white LEDs with constant current. Series connection of the LEDs provides identical LED currents resulting in uniform brightness and eliminates the need for ballast resistors. The G5121 switches at 850kHz, allowing the use of tiny external components. A low 0.25V feedback voltage minimizes power loss in the current setting resistor for high efficiency. The OVP pin monitors the output voltage and turns off the converter whenever the LEDs are open. The G5121 is available in low profile SOT-23-6 package.

### Description

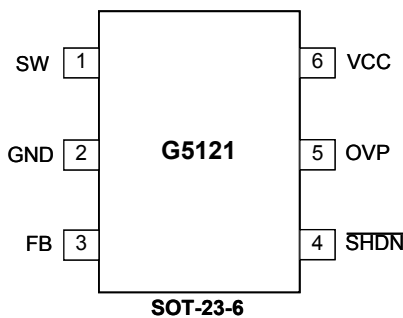
### Ordering Information

ORDER NUMBER	MARKING	TEMP. RANGE	PACKAGE (Pb free)
G5121TB1U	5121x	-40°C ~ +85°C	SOT-23-6

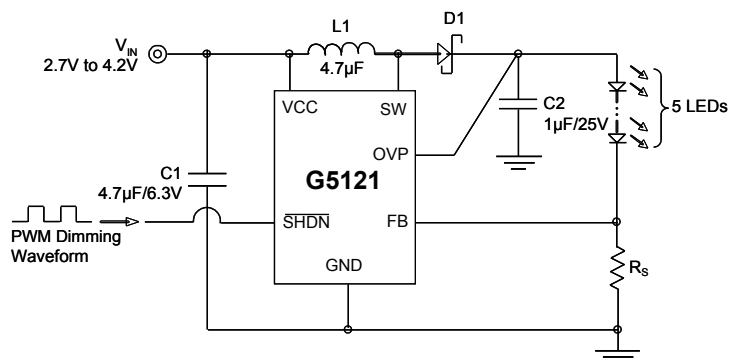
Note: TB : SOT23-6

U: Tape & Reel

### Pin Configuration



### Typical Application Circuit



## Absolute Maximum Ratings

VCC,  $\overline{\text{SHDN}}$  to GND. .... -0.3V to +7V Junction Temperature..... 125°C  
 FB to GND..... -0.3V to VCC Storage Temperature ..... -65°C to 150°C  
 SW, OVP to GND ..... -0.3V to +24V Operating Reflow Temperature (soldering, 10sec)..... 260°C  
 Temperature..... -40°C to 85°C

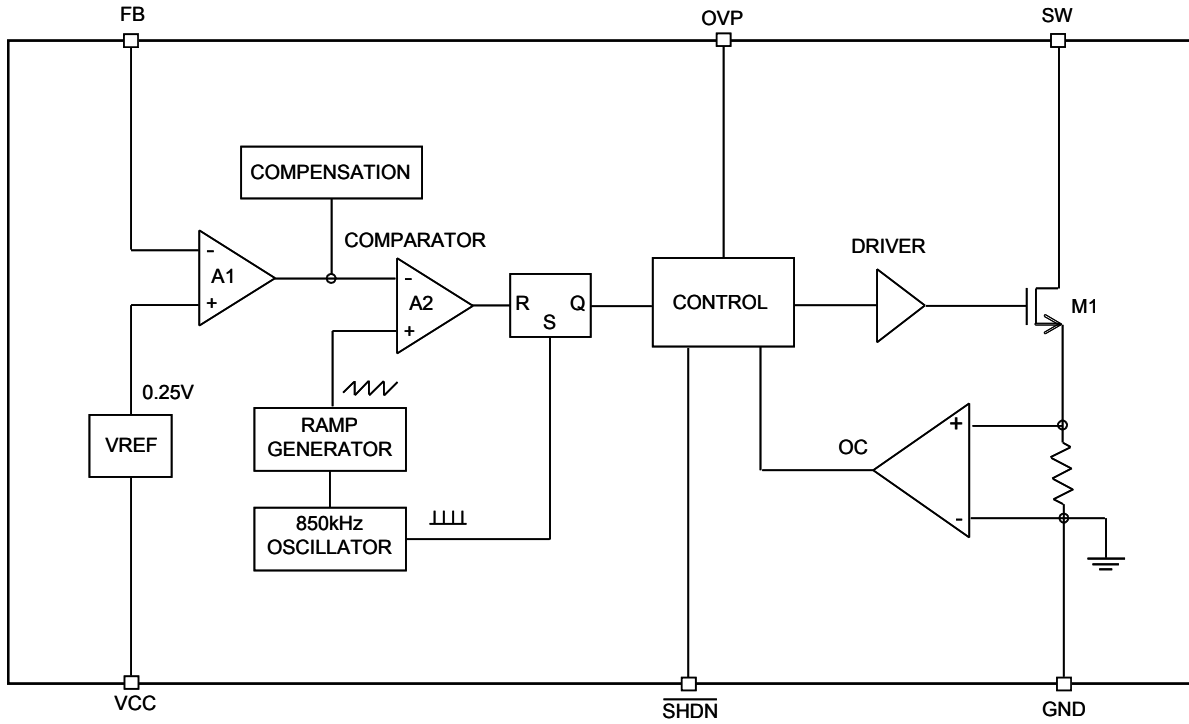
Stress beyond those listed under "Absolute Maximum Rating" may cause permanent damage to the device.

## Electrical Characteristics

( $V_{CC} = V_{\overline{\text{SHDN}}} = 3.6\text{V}$ ,  $T_A = 25^\circ\text{C}$ )

PARAMETER	CONDITIONS	MIN	TYP	MAX	UNITS
Input Voltage Range		2.5	---	5.5	V
Input Voltage UVLO		1.7	2.0	2.3	V
Over Voltage Protection Threshold	trigger	---	20	---	V
Over Voltage Protection Threshold	release	---	16	---	V
OVP Pin Input Current	$V_{ovp} = 16\text{V}$	---	40	60	$\mu\text{A}$
Quiescent Current	$V_{FB} = 0.3\text{V}$ (no switching)	---	80	120	$\mu\text{A}$
	$V_{FB} = 0.2\text{V}$ (switching)	---	---	2	mA
	$V_{\overline{\text{SHDN}}} = 0\text{V}$	---	0.1	1	$\mu\text{A}$
FB Comparator Trip Point	Initial Accuracy	237	250	263	mV
	Temperature Coefficient	---	100	---	ppm/°C
Switching Frequency	$V_{FB} = 0.2\text{V}$	700	850	1000	kHz
Maximum Duty		85	---	---	%
Minimum Duty		---	---	20	%
Switch $R_{DS(ON)}$	$I_{SW} = 150\text{mA}$	---	0.7	1.0	$\Omega$
Switch Leakage Current	$V_{SW} = 20\text{V}$	---	0.1	10	$\mu\text{A}$
Switch Current Limit		---	700	---	mA
Switch Current Limit (startup)		---	250	---	mA
$\overline{\text{SHDN}}$ Pin Voltage High	2		---	---	V
$\overline{\text{SHDN}}$ Pin Voltage Low		---	---	0.8	V

**Block Diagram**



## Pin Description

PIN NAME	FUNCTION
1 SW	<b>Switch Pin.</b> The drain of the internal NMOS power switch. Connect this pin to inductor.
2 GND	<b>Ground Pin.</b>
3 FB	<b>Feedback Pin.</b> Connect current setting resistor $R_s$ from this pin to ground. The LED current is set a $0.25V / R_s$ .
4	$\overline{\text{SHDN}}$ <b>Active Low Shutdown Pin.</b>
5 OVP	<b>Over Voltage Protection Sense Pin.</b>
6 VCC	<b>Input Supply Pin.</b> Bypass this pin with a capacitor as close to the device as possible.

## Function Description

### Normal Operation

The G5121 uses a constant frequency control scheme to provide excellent line and load regulation. Operation can be best understood by referring to the block diagram. At the start of each oscillator cycle, the SR latch is set, which turns on the power switch M1. An artificial ramp is generated to the positive terminal of the PWM comparator A2. When this voltage exceeds the level at the negative input of A2, the SR latch is reset turning off the power switch. The level at the negative input of A2 is set by the error amplifier A1, and is simply an amplified version of the difference between the feedback voltage and the reference voltage of 0.25V. In this manner, the error amplifier sets the correct peak current level to keep the output in regulation. If the error amplifier's output increases, more current is delivered to the output, if it decreases, less current is delivered.

### Over Voltage Protection

Over voltage protection function is designed to prevent the damage of internal NMOS switch in case the increased impedance of the LED load (include the LED opened). Once the device detects over voltage (typical 20V) at the output, the internal NMOS switch is kept off until the output voltage drops below 16V.

## Application Information

### Inductor Selection

A 4.7 $\mu$ F inductor is recommended for G5121 applications. Small size and high efficiency are the major concerns for most G5121 applications. Inductor with low core losses and small DCR (cooper wire resistance) at 850kHz are good choice for G5121 applications.

Since the G5121 is designed to operate in discontinuous mode, the inductor current reaches zero during discharge phase. After the inductor current reaches zero, the switch pin exhibits ringing due to the LC tank circuit formed by the inductor in combination with switch and diode capacitance. This ringing is not harmful; far less spectral energy is contained in the ringing than in the switch transitions. The ringing can be damped by application of a 300  $\Omega$  resistor across the inductor, although this will degrade efficiency.

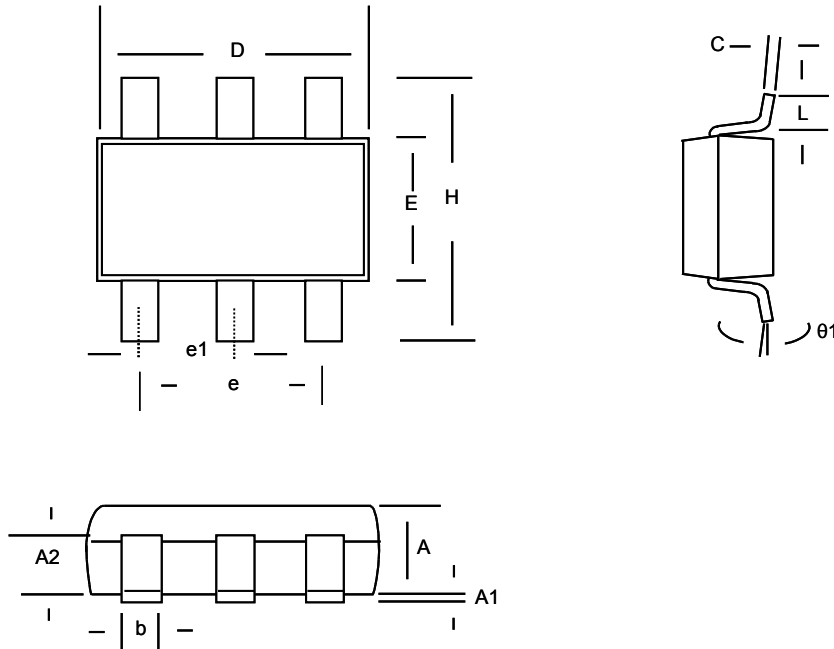
### Capacitor Selection

The small size of ceramic capacitors makes them suitable for G5121 applications. X5R and X7R types are recommended because they retain their capacitance over wider voltage and temperature ranges than other types such as Y5V or Z5U. A minimum 1 $\mu$ F capacitor for output is required for most applications. Larger input/output capacitor minimizes input/output ripple.

### Diode Selection

Schottky diodes, with their low forward voltage drop and fast reverse recovery, are the ideal choices for G5121 applications. The forward voltage drop of a Schottky diode represents the conduction losses in the diode, while the diode capacitance ( $C_T$  or  $C_D$ ) represents the switching losses. For diode selection, both forward voltage drop and diode capacitance need to be considered. Schottky diodes with higher current ratings usually have lower forward voltage drop and larger diode capacitance, which can cause significant switching losses at the 850kHz switching frequency of the G5121. A Schottky diode rated at 500mA is sufficient for most G5121 applications.

**Package Information**

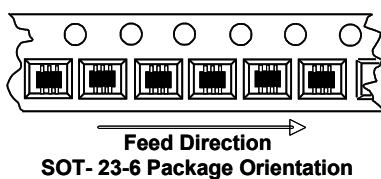


**Note:**

1. Package body sizes exclude mold flash protrusions or gate burrs
2. Tolerance  $\pm 0.1000$  mm (4mil) unless otherwise specified
4. Coplanarity: 0.1000mm
5. Dimension L is measured in gage plane

SYMBOL	DIMENSIONS IN MILLIMETER		
	MIN	NOM	MAX
A	1.00	1.10	1.30
A1	0.00	-----	0.10
A2	0.70	0.80	0.90
b	0.35	0.40	0.50
C	0.10	0.15	0.25
D	2.70	2.90	3.10
E	1.40	1.60	1.80
e	-----	1.90(TYP)	-----
e1	-----	0.95	-----
H	2.60	2.80	3.00
L	0.37	-----	-----
$\theta 1$	1° 5° 9°		

**Taping Specification**



PACKAGE Q'TY/REEL	
SOT-23-6 3,000	ea

GMT Inc. does not assume any responsibility for use of any circuitry described, no circuit patent licenses are implied and GMT Inc. reserves the right at any time without notice to change said circuitry and specifications.